



owner's manual

MARZOCCHI

PERFORMANCE SUSPENSION SYSTEMS

CHRISTIE
TAYLOR

Giovanna
Bonazzi

WORLD RECORD WOMEN'S - 88.23 MPH

no 7okes
no 8lorp

MARZOCCHI
SAY TO THE BONE

DH

3
MARZOCCHI



2

INDEX

	Page
GENERAL	3
OWNER'S INFORMATION	4
SPECIFIC TOOLS	6
GENERAL RULES	6
RECOMMENDATIONS FOR MAINTENANCE	7
FAILURES, CAUSES AND REMEDIES	7
INSTALLATION	8
DISASSEMBLY	9
REASSEMBLY	11

INDICE

	Pagina
GENERALITÀ	14
INFORMAZIONI PER IL PROPRIETARIO DELLA BICICLETTA	15
ATTREZZATURA SPECIFICA	17
REGOLE GENERALI	17
RACCOMANDAZIONI PER L'USO	18
INCONVENIENTI, CAUSE E RIMEDI	18
INSTALLAZIONE	19
SCOMPOSIZIONE	20
RICOMPOSIZIONE	22

INDEX

	Page
INFORMATIONS GENERALES	25
INFORMATIONS POUR LE PROPRIETAIRE DE LA BICYCLETTE	26
OUTILLAGE SPECIFIQUE	28
REGLES GÉNÉRALES	28
CONSEILS POUR L'UTILISATION	29
INCONVÉNIENTS, CAUSES ET REMÈDES	29
INSTALLATION	30
DÉCOMPOSITION	31
RECOMPOSITION	33

INHALTSVERZEICHNIS

	Seite
ALLGEMEINES	36
INFORMATIONEN FÜR DEN FAHRRADBESITZER	37
SPEZIFISCHE AUSRÜSTUNG	39
ALLGEMEINE NORMEN	39
ANWENDUNGSEMPFEHLUNGEN	40
MÄNGEL, URSACHEN UND ABHILFEN	40
EINBAU	41
AUSBAU	42
WIEDERZUSAMMENBAU	44



US UK 3

GENERAL

Fully hydraulic air sprung/oil dampened multi-valve design.
Air pressure regulation by "Schraeder" valve.
On the fly damping adjustment via external knob on each fork leg at 6 positions.

Weight: 3.23 lbs. o 1466 grams.

Standard air pressure: 3.5 Bar (51 psi).

Steer tube: High strength steel with variable wall thickness available in different lengths: 1" - 1 1/8" - 1 1/4".

Crown: Forged T6-6082 offset alloy, externally machined for reduced weight.

Arch: die-cast

Stanchions: Hard chromed chromoly steel - Ø1.023 in. o Ø 26 mm

Sliders: cast in a special alloy for a low friction

Travel: 3 inches o 77 mm.

Seals: Computer designed oil seal guarantee the best seal. The exclusive Marzocchi design offers the greatest seal reliability.

Oil: Specially formulated Marzocchi oil eliminates foaming and viscosity breakdown while providing stiction free performance. SAE 20 (Item 52.51).



The following is accompanying the fork:

- Warranty
- Instruction manual
- Technical descriptions
- Brake cable clamp
- Adaptor.



DH3	DOWN - HILL
XC 700	CROSS - COUNTRY
XCR	CROSS - COUNTRY
ZOKES-PRO	NO COMPETITIONS
ZOKES 2 / ZOKES TREKKING	NO COMPETITIONS





4 (US) (UK)

OWNER'S INFORMATION

IMPORTANT: Installing a Marzocchi suspension system is a very delicate operation that must be carried out with extreme care. These installation and maintenance instructions are designed for experienced bicycle mechanics and must be followed exactly as written and specified. Failure to precisely follow these instructions could cause damage to one or more components of the Marzocchi suspension system. This damage may not be readily visible or apparent and could lead to unexpected failure on one or more components of your suspension to such extent that the rider may lose control of the bicycle and suffer severe injury.

The responsibility of the owner

- 1) The Marzocchi suspension system is designed to absorb the shocks of an uneven road surface in order to give the rider more control over this bicycle. It is not designed to absorb the forces generated by jumps or other acrobatic maneuvers. If you subject the Marzocchi suspension system to repeated jumps or other acrobatic maneuvers, you could cause one or more of the components of the suspension system to unexpectedly break, resulting in a loss of bicycle control and serious injury to the rider.
- 2) Some of the parts of the bicycle, such as the brakes, steering, tires, wheel assembly and shifters may not have been adjusted at the time the Marzocchi suspension system was installed on the bicycle. Before you ride the bicycle, be sure all the parts of the bicycle were properly adjusted and functioning properly.
- 3) All of the components of the suspension system must be correctly assembled and tightened exactly to the specified torque values. Periodically check the torque of these components to insure that they are correct. Failure to properly assemble and tighten the components could cause one or more of the components to unexpectedly break, resulting in a loss of bicycle control and serious injury to the rider.
- 4) There are obvious risks associated with mountain biking and other types of bicycle riding. Despite the use of all safety equipment for the bicycle and the rider, either injuries or damages may occur. This is the responsibility of the rider. To reduce the risk of injury, all activities must be under proper supervision and only after proper training and experience. Good physical condition of the rider and the good state of the bicycle are essential to be a safe and successful rider.
- 5) Be sure to read and follow all the instructions and warnings which originally accompanied your bicycle. In addition, it is recommended for added safety and protection while riding that a good quality bicycle helmet be worn and that other safety devices such as lights, reflectors, or reflective clothing be used. Some cities and states may require the use of a helmet and other safety equipment. Follow all traffic rules and all other laws about safety equipment and use your bicycle where you are permitted to ride.



US UK 5

6) For any further information you might need, please call or write to the addresses on page 47-48.

It is your responsibility to make sure the assembly instructions in this book are precisely followed.

Always ride safely and carefully.

Always respect Nature when riding !





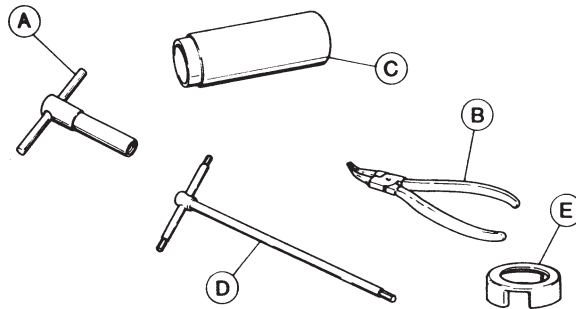
6 US UK

GENERAL RULES

1. Where specified, assemble and disassemble the shock absorption system only using the LARM or MARZOCCHI special tools, as shown in the table below.
2. On reassembling the suspension system, always use new seals.
3. If two screws are close one to the other, always tighten using a 1-2-1 sequence. In short, screw the first screw just up to the point it is well tightened, then tighten the second screw and then go back to the first one and screw it tighter.
4. Clean all metal parts with a special, preferably biodegradable solvent, such as trichloroethane or trichloroethylene.
5. Before reassembling, lubricate all parts in contact with each other using silicone fat spray.
6. Always grease the conic seal rings before reassembling.
7. Use wrenches with metric size only. Wrenches with inch size might damage the fastening devices even when their size is similar to that of the wrenches in metric size.

SPECIFIC TOOLS

Ref.	Item MARZOCCHI	Item LARM	Description	Use
A	104	60.32	Plug extracting tool	To remove the plug from the stanchion tube (XCR / DH3 / XC 400 - 500 - 600 - 700)
B	R5043	60.21	Pointed pliers	To remove the oil seal retaining ring (XCR / DH3 / XC 400 - 500 - 600 - 700)
C	R5047	60.34	Tool for seal ring assembly	To insert the oil seal into the slider (XCR / DH3 / XC 600 - 700)
D	R5024	60.27	"T" allen wrench	To unscrew stanchion tube (XCR / DH3)
E	R5048	60.38	Protection ring	To remove the oil seal (XCR / DH3)



If you do not have this equipment, contact the "MARZOCCHI Technical Service Centers."



US UK 7

FAILURES, CAUSES AND REMEDIES

This paragraph reports some troubles that may occur when using the fork. It also indicates possible causes and suggests a remedy. Always refer to this table before doing any repair work.

FAILURES	CAUSES	REMEDIES
Fluid escapes through the oil seal	1) Oil seal is worn out 2) Stanchion tube is scored 3) Exceeding dirt on oil seal	1) Replace oil seal 2) Replace oil seal and stanchion tube 3) Replace oil seal
Pressure leakage	1) Valve of inflating plug is loosened 2) Plug O-ring is damaged	1) Tighten plug or replace air valve 2) Replace O-ring and check that O-ring seat on the plug is in good conditions. Replace plug body
Fork has not been used for some time and tends to lock out during initial travel	Oil seal and dust seal tend to stick to stanchion tube	Raise dust seal and lubricate oil seal and dust seal with oil
Damping is no longer as steady as in the beginning	1) Piston ring on the damping unit is damaged 2) Exhausted fluid	1) Replace piston ring Make sure that seat on the damping unit is in good condition 2) Replace fluid
Fork bottoms or tops out too easily	1) Pressure is too low 2) Low oil level	1) Check pressure 2) Refill oil
Even at low pressure, fork is too progressive	Oil level is too high	Reduce oil level
Fork rebounds too fast	Dirt inside, valves do not close perfectly	Clean carefully and replace oil

RECOMMENDATIONS FOR MAINTENANCE

MARZOCCHI forks are based on advanced technology, supported by year-long experience in the field of professional mountain biking. In order to achieve best results, we recommend to check and clean the area below the oil seal and the stanchion tube after each use and lubricate with silicone oil.



8 US UK

All components of the suspension system and the whole bike should be regularly checked. The frequency of these checks depends on the bike use. For further information, read the table below. Check any fastening device to check that it is either too tight or to loose. Remove any clearance or loosening of either the system components or the bike. Check that no component of both the system and the bike is broken, bended, improperly misaligned or not properly working. Should some problem occur, do not ride the bike until it is detected and removed by a specialised technician. Failure to properly check the suspension system and the bike could cause one ore more of the components to unexpectedly break, resulting in a loss of bicycle control and serious injury to the rider.

RIDERS CLASS	CHECK FREQUENCY
Chance and keen riders	each 50 hours
Determined riders who often ride on difficult tracks; Riders who ride under extreme conditions (mud, rain, storms, low temperatures and so on) or who trains with his own bike	each 20 hours
Professional riders or athletes	after each ride



INSTALLATION (see figures on the folded leaflet enclosed to this manual)

IMPORTANT: Installing the MARZOCCHI fork on a frame is a very delicate operation that should be carried out with extreme care following the instructions given below. Once installed, have it checked at one of our Technical Service Centres.

- Distance "H" between crown and tyre edge (when inflated) should not be lower than total travel + 3 mm (see Fig. a).
For instance: fork DH3 has a total travel of 77 mm; mounting minimum distance shall be $H=77+3=80$ mm.
- Fit the steer tube into the crown and tighten fastening screws (Ref. 9, see Fig. b) by means of a proper wrench at 11 Nm torque (7.5 lb.ft.).

⚠ WARNING: Steering tube/headset mounting and adjustment must be carried out in compliance with the headset manufacturer's instructions either when a threaded steering tube or an "A-Head Set" steering tube is installed. Improper installation may jeopardize the safety of the rider.

- Check the torque of the screws (Ref. 3, see Fig. c) fastening stanchions to crown and (Ref. 10, see Fig. c) stiffening arch to sliders.





US UK 9

For prescribed tightening torque, see the table below.

Thread diameter	Tightening torque	
	Nm	lb ft
M5	9	6.6
M6	11	7.5

- The eccentric fastening of the control wires for the brake pads must be positioned so that the two angles ("α", Fig. d) to the tube axis are equal and symmetric. The brake cable must also be kept straight for at least 50 mm (2 in.) to get to a correct bending during the whole fork stroke. Only by following these instructions you will reach a correct brake cable-cam function.

To reroute the front brake to right-hand lever, proceed as follows:

- Undo and remove screw (1) and cam (2) positioned as shown in Fig. d.
- Turn the cam and fasten it at 9 Nm (6.6 lb.ft.) by means of the screw as shown in Fig. e.
- Cut cable to size so as to have a straight section at least 50 mm long.

NOTE: Use brake cable only.

- Insert the short cable (4) into the left cantilever and lock it with the original fastener.
- With the cam still positioned as in Fig. e, secure the cable (4) to the cam with screw 85 and plate (6).
- Install clamp (8) (supplied with the fork) and lock it over the control cable (7) as shown in figure ("α" angles should be identical and symmetrical to steering tube axis).

NOTE: Clamp screw should be tightened over the cable to 5 Nm (3.7 lb.ft.)

CAUTION: should the clamp work itself loose, the braking effect on front wheel will be lost.

- Adjust brakes as recommended by brake manufacturer.

ATTENTION: Once installed on the frame, the fork should be left in a vertical position, set at adjuster position "1", for at least 3-4 hours. This to let the oil fill all internal ducts, after fork was transported in a horizontal position. This is the only way to ensure your fork's efficiency.

DISASSEMBLY (see figures on the folded leaflet enclosed to this manual)

The reference numbers given in this section relate to the components shown in the fork exploded drawing on the folded leaflet enclosed to this manual.

FIG. 1

Loosen the screws (10) which block the brake arch (305) to the sliders.

FIG. 2

Remove the fork legs from the crown by loosening the screws (3) on the locking clamps.

FIG. 3

Slide the top of the stanchion tubes out of the crown.





10 **US** **UK**

FIG. 4

Before carrying out any maintenance or replacement work, remove the protection caps (303) and release the air pressure in the fork legs through the valves.

FIG. 5

Screw the special tool A (MARZOCCHI Item 104 - LARM Item 60.32) onto the plug threaded projection.

Push the upper plug assembly (17) into the stanchion tube (19) deep enough to be able to get at the stop ring. Loosen and remove the tool.

FIG. 6

Take out the upper stop ring (38H) by means of a screw driver.

FIG. 7

Mount tool A (MARZOCCHI Item 104 - LARM Item 60.32) and pull out the upper plug assembly (17) from the stanchion tube. Pull hard to overcome the resistance made by the OR oil seal (4).

FIG.8

Drain the oil contained in the fork leg by pushing the slider up and down to let all the oil come out.



WARNING: Do not waste the exhausted oil in the environment!



FIG. 9

Fix the lower part of the slider (24-25) into a vice with aluminium blocks and protect the surface with a cloth. Unscrew the inner rod (53) by means of a special wrench D (MARZOCCHI Item R 5024 - LARM Item 60.27).

FIG. 10

Remove the complete stanchion tube (19) from the inside of the slider.

FIG. 11

Pull the damping unit (53) out of the stanchion tube (19) and check the conditions of both the stop seal (48) and the stop ring (320). Replace these parts if worn out.

FIG. 12

Remove the dust seal (20) from the top of the slider by exerting an upward pressure with a screwdriver.

FIG. 13

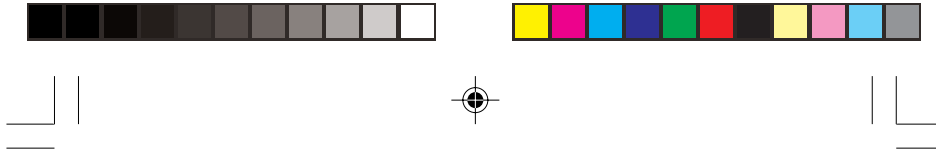
Remove the stop ring (38) from the inside of the slider with a pair of pointed pliers B (MARZOCCHI Item R 5043 - LARM Item 60.21).

FIG. 14

Remove the oil seal (22) by means of a screwdriver.

Protect the external edge of the slider with the special ring E (MARZOCCHI Item R 5048 - LARM Item 60.38) while carrying out this operation.





US UK 11

FIG. 15

Withdraw the lower retaining cup (139) and the pilot bushing (56) from the slider (24-25) and check for their wear.

FIG. 16

The adjuster assy should not be taken off unless there are oil leaks through the O-ring. In this case, contact the nearest MARZOCCHI Technical Service Centre. The adjuster knob (321) is fastened to the body valve by means of an outer screw. Do not unscrew this screw, otherwise the valve seat would suffer damage since it was fitted using some "Loctite". Before removing the clicker (181) remove the outer O-ring by means of a small screwdriver and then push the valve clamp outwards by means of a 1-mm bit. Withdraw the complete clicker from the slider.

REASSEMBLY (see figures on the folded leaflet enclosed to this manual)

IMPORTANT: before reassembling, all components should be washed carefully and dried with compressed air. The foot valve should be cleaned with special care.



FIG. 1

Fit the stop seal (48) and the stop ring (320) onto the damping unit (53) after lubricating them. Fit the damping unit complete with rings into the stanchion tube.



FIG. 2

Carefully fit the stanchion tube into the slider and push it down to the bottom.

FIG. 3

Fix the lower part of the slider (24-25) into a vice with aluminium blocks and protect the surface with a cloth. Tighten the damping unit (53) on the slider by means of the special wrench D (MARZOCCHI Item R 5024 - LARM Item 60.27) at 20 Nm (14.7 lb.ft.).

FIG. 4

After lubricating the pilot bushing (56), the lower cup (139) and the seal ring (22), fit them into the stanchion tube (19). Push them to the slider and fit the bush into its seat.

FIG. 5

By means of the special pushing tool C (MARZOCCHI Item R 5047 - Art. LARM 60.34) push the above parts into the slider.

FIG. 6

Fit stop ring (38) into the proper groove in the slider and check for its proper fitting by pushing it in different directions.

FIG. 7

Lubricate the dust seal (20) and fit it carefully into the stanchion tube.





12 US UK

FIG. 8

Pour "MARZOCCHI oil Item 52.51" into the stanchion tube. Pump several times up and down so that the oil can fill the whole inner volume.

FIG. 9

Make sure that the stanchion tube touches the slider bottom and check that the oil level is 35 mm from the top.

FIG. 10

Tighten tool A (MARZOCCHI Item 104 - LARM Item 60.32) on the threaded plug projection (17).

Grease the O-ring (4) and refit the upper plug assembly (17) inside the stanchion tube. Push it beyond the seat of the stop ring.

FIG. 11

Reassemble the upper stop ring (38H) and inflate (standard air pressure: 3.5 Bar / 51 psi). Reposition the protection plug (303) and proceed with the assembly of the fork legs onto the steering crown following the instructions of chapter "INSTALLATION".





US UK 13

Description of exploded view components shown on the folded leaflet enclosed to this manual.

REF	DESCRIPTION
3	SCREW
4	O-RING
9	SCREW
10	SCREW
14	STEER TUBE
15	CROWN
16	CROWN+STEER TUBE
17	UPPER PLUG ASSEMBLY
19	STANCHION TUBE
20	DUST SEAL
22	OIL SEAL
24	RIGHT SLIDER
25	LEFT SLIDER
38	STOP RING
38H	STOP RING
53	DAMPING UNIT
56	UPPER BUSHING
84	VALVE
91	BOOT
139	RETAINING CUP
181	CLICKER
200	OVERHAUL KIT
303	PROTECTION PLUG
304	GUIDE PIN
305	ARCH
316	CAM
322	CAM SCREW
504	LEFT DECAL
505	RIGHT DECAL





14 I

GENERALITÀ

Ammortizzata ad aria/olio con sistema multi-valvole.

Regolazione pressione aria per mezzo di valvola "Schraeder".

Facile e immediata regolazione per mezzo di un pomello esterno su ogni gamba forcella a 6 posizioni.

Peso: 1466 grammi (3.23 lbs) .

Pressione aria standard: 3,5 Bar (51 psi).

Canotto: acciaio ad alta resistenza con spessore parete variabile disponibile in varie lunghezze nelle versioni da 1" - 1 1/8" - 1 1/4".

Base: Offset in lega T6-6082 stampata, lavorata esternamente per ridurre il peso.

Archetto: pressofuso.

Tubi portanti: in acciaio al cromomolibdeno speciale ad alta resistenza, cromati duri - Ø26 mm.

Gambe: fuse in una speciale lega di alluminio per ottenere un basso attrito.

Corsa: 77 mm (3 pollici).

Guarnizioni: anelli di tenuta progettati al computer assicurano la massima tenuta. Il design dei componenti è esclusivo Marzocchi ed offre la massima affidabilità.

Olio: Olio a formula speciale elimina la formazione di schiuma e mantiene inalterate le caratteristiche di viscosità mentre è in grado di fornire elevate prestazioni; esente da attrito di primo distacco. SAE 20 (Art. 52.51).

La forcella è corredata da:

- Garanzia
- Libretto istruzioni
- Descrizioni tecniche
- Morsetto per attacco cavo freno
- Adaptor.

DH3	DOWN - HILL
XC 700	CROSS - COUNTRY
XCR	CROSS - COUNTRY
ZOKES-PRO	NON COMPETIZIONE
ZOKES 2 / ZOKES TREKKING	NON COMPETIZIONE



INFORMAZIONI PER IL PROPRIETARIO DELLA BICICLETTA

IMPORTANTE: Installare un sistema di sospensione Marzocchi rappresenta un'operazione estremamente delicata che deve essere eseguita con estrema attenzione. Le presenti istruzioni per l'installazione e la manutenzione sono destinate a meccanici per biciclette esperti e dovranno essere scrupolosamente osservate alla lettera. La non osservanza di tali istruzioni secondo le indicazioni fornite, potrà provocare danni ad uno o più componenti del sistema di sospensione Marzocchi. Tale danno potrebbe non risultare visibile immediatamente o evidente a prima vista e causare l'imprevista rottura di uno o più componenti del sistema di sospensione, di entità tale da pregiudicare il controllo della bicicletta e comportare gravi danni fisici per il ciclista.

La responsabilità del proprietario della bicicletta

- 1) Il sistema di sospensione Marzocchi è progettato in maniera tale da ammortizzare gli urti o gli effetti di un fondo stradale non uniforme, al fine di assicurare al ciclista un maggiore controllo della propria bicicletta. Questo sistema non è stato progettato per assorbire le forze generate da salti o altre manovre acrobatiche eseguite in sella alla propria bici. Se il sistema di sospensione Marzocchi viene ripetutamente messo a dura prova da salti o esercizi acrobatici, uno o più componenti del medesimo potrebbero andare incontro ad impreviste rotture che comporterebbero la perdita del controllo del mezzo e gravi lesioni al ciclista.
- 2) Alcune parti costitutive della bicicletta, quali freni, sterzo, pneumatici, gruppo ruota e leva del cambio, potrebbero non essere stati regolati nel momento in cui è stata eseguita l'installazione del sistema di sospensione Marzocchi sulla bicicletta. Prima di montare in sella alla bici, verificare che tutte le parti siano state correttamente regolate e funzionino in maniera appropriata.
- 3) Tutti i componenti del sistema di sospensione dovranno essere assemblati correttamente e serrati saldamente ai valori di coppia specificati. Controllare periodicamente la coppia di questi componenti per accertarne la correttezza. La mancata esecuzione di un corretto assemblaggio e di un idoneo serraggio dei componenti potrebbe provocare l'imprevista rottura di uno o più elementi che pregiudicherebbero il controllo del mezzo e comporterebbero gravi lesioni al ciclista.
- 4) Alle mountain bike e ad altri tipi di bicicletta sono ovviamente associati dei rischi. Nonostante l'impiego di tutti i dispositivi di sicurezza sia per la bicicletta sia per il ciclista che vi monta in sella, possono verificarsi danni per entrambi. Ciò rientra nell'ambito delle responsabilità del ciclista. Per ridurre il rischio di incidenti, tutte le attività dovranno essere svolte sotto un'attenta supervisione e soltanto dopo un periodo di training e un'esperienza appropriati. La buona forma fisica del ciclista e l'ottimo stato della bicicletta sono elementi essenziali per assicurare un controllo sicuro del mezzo.



16 I

- 5) Avere cura di leggere e seguire tutte le istruzioni e gli avvertimenti che vengono originariamente forniti insieme alla bicicletta. Si raccomanda inoltre, per garantire una maggiore sicurezza e protezione, di indossare un casco protettivo di buona qualità e di installare altri dispositivi di sicurezza quali luci, riflettori o indossare un abbigliamento appropriato, realizzato in materiale rifrangente. In alcune città e stati è prescritto obbligatoriamente l'uso di un casco protettivo abbinato all'uso di altri dispositivi di sicurezza. Attenersi a tutte le disposizioni che regolano la circolazione stradale nonché a tutte le altre norme relative ai dispositivi di sicurezza, avendo cura di usare la bicicletta soltanto nei luoghi in cui ne è consentita la circolazione.
- 6) In caso di quesiti da sottoporre alla nostra attenzione, vi preghiamo di telefonare o scrivere agli indirizzi riportati a pag. 47-48.

Vi riterremo responsabili della corretta applicazione delle istruzioni di assemblaggio contenute nel presente libretto.

Guidare sempre nel pieno rispetto delle norme di sicurezza e prestando sempre la massima attenzione.

In ogni Vostro spostamento rispettate sempre la Natura!



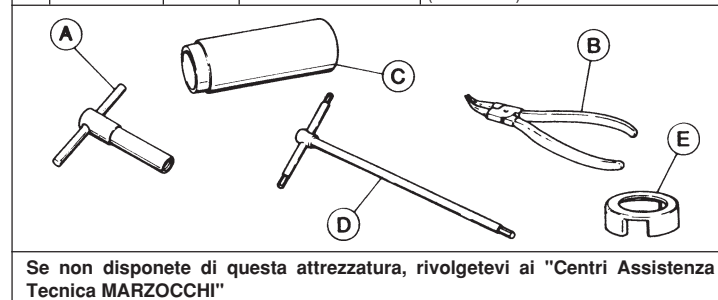
I 17

REGOLE GENERALI

1. Laddove specificato, assemblare e smontare il sistema di sospensione usando soltanto gli speciali attrezzi MARZOCCHI o LARM di cui viene fornita una descrizione nella tabella riportata di seguito.
2. Al momento di riassemblare il sistema di sospensione, usare sempre guarnizioni nuove.
3. Nel caso in cui due viti siano vicine l'una all'altra, seguire sempre una sequenza 1-2-1 per fissarle. In altri termini, stringere la prima vite soltanto fino al punto in cui essa risulta essere ben serrata, passare quindi alla seconda e solo successivamente tornare alla prima vite per assicurarsi di serrarla più saldamente.
4. Pulire tutte le parti metalliche utilizzando un solvente specifico, preferibilmente biodegradabile, come tricloroetano oppure trielina.
5. Prima di riassemblare gli elementi, lubrificare tutte le parti in contatto l'una con l'altra, usando grasso spray al silicone oppure olio specifico per guarnizioni di tenuta.
6. Ingrassare sempre le guarnizioni con labbro per tenuta d'olio prima di procedere al riassettaggio.
7. Usare soltanto chiavi metriche. Le chiavi in pollici potrebbero danneggiare i dispositivi di fissaggio anche nel caso in cui la rispettiva dimensione si avvicinasse a quella delle chiavi metriche.

ATTREZZATURA SPECIFICA

Rif.	Art MARZOCCHI	Art LARM	Descrizione	Utilizzo
A	104	60.32	Estrattore tappo	Per rimuovere il tappo dal tubo portante (XCR / DH3 / XC 400 - 500 - 600 - 700)
B	R5043	60.21	Pinza a punta piegata	Per rimuovere l'anello di fermo del MIM (XCR / DH3 / XC 400 - 500 - 600 - 700)
C	R5047	60.34	Attrezzo montaggio MIM	Per introdurre nel portaruota l'anello di tenuta (XCR / DH3 / XC 600 - 700)
D	R5024	60.27	Chiave a "T" 6 mm	Per smontaggio tubo portante (XCR / DH3)
E	R5048	60.38	Anello di protezione	Per rimuovere l'anello di tenuta (XCR / DH3)





18 I

INCONVENIENTI, CAUSE E RIMEDI

Questo paragrafo riporta alcuni inconvenienti che possono verificarsi nell'utilizzo della forcella, ne indica le cause che possono averli provocati e suggerisce l'eventuale rimedio. Consultare sempre questa tabella prima di intervenire sulla forcella.

INCONVENIENTI	CAUSE	RIMEDI
Perdite olio dall'anello di tenuta	1) Usura dell'anello di tenuta 2) Tubo portante rigato 3) Eccesso di sporco sull'anello di tenuta	1) Sostituire l'anello di tenuta 2) Sostituire l'anello di tenuta e il tubo portante 3) Sostituire l'anello di tenuta
Perdita di pressione	1) Valvola del tappo di gonfiaggio lenta 2) OR del tappo rovinato	1) Serrare a fondo il tappo o sostituire la valvola aria 2) Sostituire OR e verificare che la sede OR sul tappo risulti integra. Sostituire il corpo tappo
Dopo un periodo di inutilizzo la forcella tende a bloccarsi nella corsa iniziale	L'anello di tenuta ed il raschiapolvere tendono ad incollarsi al tubo portante	Alzare il raschiapolvere e lubrificare con olio l'anello di tenuta ed il raschiapolvere
Il freno non è più costante come all'inizio	1) Segmento sull'asta interna usurato 2) Olio esausto	1) Sostituire il segmento. Controllare che la sede sull'asta interna sia integra 2) Sostituire l'olio
La forcella arriva facilmente a fine corsa	1) Pressione troppo bassa 2) Livello dell'olio basso	1) Controllare la pressione 2) Rabboccare livello olio
La forcella anche con pressione bassa è troppo progressiva	Livello olio troppo alto	Abbassare livello olio
Forcella ritorna troppo velocemente	Sporcizia all'interno non permette alle valvole di chiudersi bene	Pulire accuratamente e sostituire l'olio

RACCOMANDAZIONI PER L'USO

Le forcelle MARZOCCHI si basano su una tecnologia avanzata, supportata da una pluriennale esperienza nel settore del mountain biking professionistico. Per conseguire i migliori risultati, dopo ogni utilizzo della bicicletta, si raccomanda di controllare e quindi ripulire la zona sottostante l'anello di tenuta e il tubo portante avendo cura di lubrificare con olio al silicone.



I 19

Dovranno inoltre essere sottoposti a revisione periodica tutti i componenti del sistema di sospensione Marzocchi nonché l'intera bicicletta. La frequenza di questi controlli dipenderà dal tipo d'uso cui viene destinata la bicicletta. Per informazioni al riguardo, consultare la tabella riportata di seguito. Controllare ogni dispositivo di fissaggio per verificare che non sia stato serrato in maniera eccessiva o insufficiente. Escludere la presenza di un eventuale gioco o allentamento stabilitosi tra i componenti del sistema di sospensione o della bicicletta. Verificare che nessun componente del sistema di sospensione o della bicicletta sia rotto, incurvato, impropriamente disallineato o che non funzioni correttamente. Nel caso in cui vengano rilevati anomalie, evitare di montare in sella alla bici fino al momento in cui la causa di tale irregolarità di funzionamento non sia stata individuata e riparata da un esperto. La mancata esecuzione di accurati controlli del sistema di sospensione e dell'intera bicicletta potrebbe comportare un'imprevista rottura di uno o più componenti, causando altresì la perdita del controllo della bici e seri danni al ciclista.

CATEGORIA DI CICLISTI	FREQUENZA DEI CONTROLLI
Ciclisti occasionali, appassionati	Ogni 50 ore d'uso
Ciclisti grintosi che si cimentano frequentemente in percorsi difficili; ciclisti che affrontano percorsi in condizioni di guida estreme (in presenza di fango, pioggia, temporali, basse temperature, ecc.) o che si allenano in sella alla propria bici	Ogni 20 ore d'uso
Ciclisti professionisti o atleti	Dopo ogni gara



INSTALLAZIONE (vedi figure sul foglio piegato, allegato al libretto)

IMPORTANTE: L'installazione della forcella MARZOCCHI sul telaio rappresenta una operazione molto delicata che deve essere eseguita con molta attenzione seguendo le indicazioni di seguito riportate. Fate verificare l'installazione presso uno dei nostri Centri di Assistenza Tecnica.

- La distanza "H" tra la base di sterzo e l'estremità del pneumatico (gonfio) non deve essere inferiore alla corsa totale + 3 mm. (vedi Fig. a).
Per esempio: la forcella DH3 ha una corsa totale di 77 mm; al montaggio dovrà risultare una distanza minima $H=77+3=80$ mm.
- Inserire a fondo il canotto dentro la base di sterzo e serrare le viti (Rif. 9, vedi Fig. b) di fissaggio con chiave opportuna alla coppia di 11 Nm.

ATTENZIONE: Il montaggio e la registrazione del canotto devono essere eseguiti seguendo le indicazioni del costruttore della serie di sterzo sia installando un canotto filettato, sia un canotto "A-Head Set". Un montaggio non corretto può pregiudicare la sicurezza e l'incolumità del ciclista.

- Controllare il serraggio delle viti (Rif. 3, vedi Fig. c) di fissaggio dei tubi portanti sulla base di sterzo e quelle (Rif. 10, vedi Fig. c) dell'archetto di irrigidimento ai foderi.





20 1

Determinare consultando la tabella sotto riportata la coppia di serraggio prescritta:

Diametro filettatura	Coppia di serraggio Nm
M5	9
M6	11

- La camma di fissaggio dei cavi di comando dei pattini freno deve essere posizionata in modo da ottenere i due angoli (α , Fig. d) uguali e simmetrici rispetto all'asse cannotto. Inoltre, il cavo di comando deve mantenersi rettilineo per un tratto di almeno 50 mm per poter assumere una corretta curvatura durante tutta la corsa della forcella. Solo in questa condizione il funzionamento della camma risulterà ottimale.

Per lo spostamento del comando freno anteriore sulla leva destra procedere nel seguente modo:

- Svitare e rimuovere la vite (1) e la camma (2) posizionate come in Fig. d.
- Rovesciare la camma e bloccarla con la vite (come in Fig. e) alla coppia di serraggio di 9 Nm.
- Tagliare la guaina a misura, in modo che rimanga un tratto rettilineo di almeno 50 mm. **N.B.:** usare solo cavo per freni.
- Introdurre il cavo corto (4) nel cantilever sinistro e bloccarlo con il fissaggio originale.
- Mantenendo la camma sempre posizionata (come in Fig. e) bloccare il cavo (4) sulla camma con la vite (5) e la piastrina (6).
- Introdurre il morsetto (8) (dato in dotazione con la forcella) e bloccarlo sul cavo di comando (7) rispettando la condizione di figura (angoli α uguali e simmetrici rispetto all'asse del cannotto). **N.B.:** la vite del morsetto deve essere serrata sul cavo ad una coppia di serraggio 5 Nm.

⚠ ATTENZIONE: l'allentamento del morsetto determina la perdita dell'effetto frenante sulla ruota anteriore della MTB.

- Procedere alla regolazione dei freni come raccomandato dalla casa costruttrice degli stessi.

⚠ ATTENZIONE: dopo aver installato la forcella sul telaio è necessario lasciarla in posizione verticale per almeno 3-4 ore sulla posizione di registro "1". Questo è necessario per consentire all'olio di riempire tutte le canalizzazioni interne, dopo il trasporto in posizione orizzontale. Solo in questo modo la Vostra forcella risulterà efficiente.

SCOMPOSIZIONE (vedi figure sul foglio piegato, allegato al libretto)

I numeri di riferimento di questo capitolo si riferiscono ai componenti dell'esplosione forcella raffigurata sul foglio piegato, allegato al libretto.

FIG. 1

Svitare le viti (10) di fissaggio dell'archetto di irrigidimento (305) ai portaruota.

FIG. 2

Procedere alla rimozione degli steli forcella dalla base di sterzo allentando le viti (3) sui morsetti di serraggio.





I 21

FIG. 3

Sfilare la sommità dei tubi portanti dalla base di sterzo.

FIG. 4

Prima di eseguire qualsiasi operazione di manutenzione o per qualsiasi sostituzione è necessario scaricare la pressione d'aria presente nei due steli operando sulle valvole, dopo aver rimosso i tappi di protezione (303).

FIG. 5

Avvitare l'attrezzo A (Art. MARZOCCHI 104 - Art. LARM 60.32) sulla sporgenza filettata del tappo.

Spingere dentro al tubo portante (19) il tappo (17) quel tanto che basta per poter operare sull'anello di fermo. Rimuovere l'attrezzo.

FIG. 6

Con un cacciavite, rimuovere l'anello di fermo (38H) superiore.

FIG. 7

Riavvitare l'attrezzo A (Art. MARZOCCHI 104 - Art. LARM 60.32) ed estrarre il tappo (17) dal tubo portante. Tirare con forza per vincere la resistenza dell'anello OR di tenuta (4).

FIG. 8

Scaricare l'olio contenuto all'interno dello stelo pompando con il portaruota per permettere una evacuazione completa.

 **ATTENZIONE:** non disperdere l'olio esausto nell'ambiente!

FIG. 9

Inserire la parte inferiore del portaruota (24-25) in una morsa provvista di ganasce di alluminio e proteggere la superficie con uno straccio. Utilizzando la chiave speciale D (Art. MARZOCCHI R 5024 - Art. LARM 60.27) svitare l'asta interna (53).

FIG. 10

Sfilare dall'interno del portaruota il tubo portante (19) completo.

FIG. 11

Sfilare dal tubo portante (19) l'asta interna (53) e verificare le condizioni del segmento (48) di tenuta e dell'anello (320) di fine corsa. Sostituire detti particolari se usurati.

FIG. 12

Sfilare il raschiapolvere (20) dalla sommità del portaruota, facendo pressione verso l'alto con un cacciavite.

FIG. 13

Utilizzando un paio di pinze a punta B (Art. MARZOCCHI R 5043 - Art. LARM 60.21) rimuovere l'anello di fermo (38) dall'interno del portaruota.





22 **I**

FIG. 14

Estrarre l'anello di tenuta (22), utilizzando un cacciavite.

Proteggere il bordo esterno del portaruota con lo speciale anello E (Art. MARZOCCHI R 5048 - Art. LARM 60.38) mentre si esegue l'operazione di estrazione.

FIG. 15

Sfilare dal portaruota (24-25) lo scodellino inferiore (139) e la boccia di guida (56). Esaminare i componenti rimossi per poterne stabilire l'usura.

FIG. 16

Il gruppo di registro non deve essere smontato salvo in caso di perdite d'olio attraverso l'anello OR. In questo caso rivolgetevi presso il "Centro Assistenza Tecnica MARZOCCHI" più vicino.

Il pomello di registro (321) è fissato al corpo valvola con una vite esterna. Evitare di svitare detta vite in quanto, essendo montata con "Loctite", si potrebbe danneggiare la sede della valvola. Per rimuovere il gruppo valvola (181) occorre togliere con un piccolo cacciavite l'anello OR esterno; quindi, con una punta da 1 mm, spingere fuori il fermo della valvola. Sfilare il gruppo valvola completo dal portaruota.

RICOMPOSIZIONE (vedi figure sul foglio piegato, allegato al libretto)

AVVERTENZA: tutti i componenti prima del rimontaggio vanno lavati accuratamente ed asciugati con aria compressa. Particolare attenzione va riservata alla pulizia della valvola di fondo.

FIG. 1

Montare sull'asta interna (53) il segmento di tenuta (48) e l'anello di fine corsa (320) ben ingrassati. Inserire l'asta interna completa di anelli nel tubo portante.

FIG. 2

Introdurre delicatamente il tubo portante (19) nel portaruota e spingere l'asta interna fino in fondo.

FIG. 3

Inserire la parte inferiore del portaruota (24-25) in una morsa provvista di ganasce di alluminio e proteggere la superficie con uno straccio. Utilizzando la chiave speciale D (Art. MARZOCCHI R 5024 - Art. LARM 60.27) bloccare l'asta interna (53) sul portaruota alla coppia di serraggio 20 Nm.

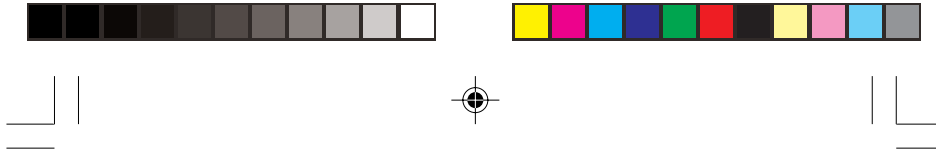
FIG. 4

Inserire nel tubo portante (19) la boccia di guida (56), lo scodellino inferiore (139) e l'anello di tenuta (22), ben lubrificati. Spingerli verso il portaruota e imboccare la boccia nella sua sede.

FIG. 5

Utilizzando lo speciale introduttore C (Art. MARZOCCHI R 5047 - Art. LARM 60.34) spingere nel portaruota gli elementi sopraccitati.





I 23

FIG. 6

Inserire l'anello di fermo (38) nell'apposita cava sul portaruota e controllare, spingendo su di esso in più punti, che risulti correttamente installato.

FIG. 7

Rimontare il raschiapolvere (20), ben lubrificato, inserendolo delicatamente nel tubo portante.

FIG. 8

Versare olio "MARZOCCHI Art. 52.51" all'interno del tubo portante pompando alcune volte con il tubo per permettere all'olio di riempire tutto il volume interno.

FIG. 9

Assicurarsi che il tubo portante sia a battuta sul fondo del portaruota e verificare che il livello raggiunga 35 mm dalla sommità.

FIG. 10

Avvitare l'attrezzo A (Art. MARZOCCHI 104 - Art. LARM 60.32) sulla sporgenza filettata del tappo (17).

Ingrassare l'anello OR (4) e reinserire il tappo (17) dentro al tubo portante. Spingerlo fino a superare l'alloggiamento dell'anello di fermo.

FIG. 11

Rimontare l'anello di fermo (38H) superiore e procedere al gonfiaggio (pressione aria standard: 3,5 Bar / 51 psi). Riposizionare i cappucci di protezione (303) e installare gli steli sulla base di sterzo seguendo le indicazioni del capitolo "INSTALLAZIONE".





24 I

Denominazione degli elementi dell'esploso rappresentato sul foglio piegato, allegato al libretto.

REF	DENOMINAZIONE
3	VITE
4	O-RING
9	VITE
10	VITE
14	CANNOTTO
15	BASE
16	BASE+CANNOTTO
17	TAPPO SUP. COMPL.
19	TUBO PORTANTE
20	RASCHIAPOLVERE
22	ANELLO DI TENUTA
24	PORTARUOTA.DX.
25	PORTARUOTA.SX.
38	ANELLO DI FERMO
38H	ANELLO DI FERMO
53	ASTA INTERNA
56	BOCCOLA SUPERIORE
84	VALVOLA
91	SOFFIETTO
139	SCODELLINO
181	POMELLO REGOLAZIONE
200	KIT REVISIONE
303	TAPPO VALVOLA
304	PERNO DI GUIDA
305	ARCHETTO
316	GR. ECCENTRICO FRENO
322	VITE PER ECCENTRICO
504	ADESIVO SX.
505	ADESIVO DX.





F 25

INFORMATIONS GENERALES

Système d'amortissement multisoupapes par air/huile.
Réglage pression air par soupape "Schraeder".
Réglage facile et immédiat à l'aide d'une poignée extérieure à 6 positions sur chaque jambe de fourche.

Poids: 1466 grammes (3.23 lbs).

Pression air standard: 3,5 Bar (51 psi).

Pivot: en acier à haute résistance avec épaisseur paroi variable, disponible en différentes longueurs dans les versions 1" - 1 1/8" - 1 1/4".

Base: en alliage T6-6082 moulé, usiné à l'extérieur pour réduire le poids.

Arceau: moulé sous pression.

Plongeur: en acier spécial au chrome-molybdène à haute résistance, chromés durs - Ø 26 mm.

Jambes: moulées en alliage spécial d'aluminium pour obtenir un bas frottement.

Course: 77 mm (3 pouces).

Joint: conçus par ordinateur, ces joints spy, garantissent une étanchéité maximale. La conception des composants, exclusive Marzocchi, offre la plus grande fiabilité.

Huile: huile à formule spéciale, qui prévient la formation de mousse et maintient les caractéristiques de viscosité constantes, en permettant, en même temps, de livrer des performances élevées; exempt de frottement au premier départ. SAE 20 (Art. 52.51).

La fourche est équipée de:

- Garantie
- Mode d'emploi
- Descriptions techniques
- Collier pour fixation câble de frein
- Adaptor.

DH3	DOWN - HILL
XC 700	CROSS - COUNTRY
XCR	CROSS - COUNTRY
ZOKES-PRO	NON COMPETITION
ZOKES 2 / ZOKES TREKKING	NON COMPETITION



26 (F)

INFORMATIONS POUR LE PROPRIETAIRE DE LA BICYCLETTE

IMPORTANT: L'installation d'un système de suspension Marzocchi est une opération extrêmement délicate pour laquelle il faut faire très attention. Ces instructions pour l'installation et l'entretien sont adressées à des mécaniciens pour vélos expérimentés et il faudra les respecter rigoureusement à la lettre. Le non-respect des instructions selon les indications fournies, pourrait être à l'origine de dommages à l'un ou plusieurs composants du système de suspension Marzocchi. Ces dommages pourraient ne pas être immédiatement apparents ou évidents à première vue et provoquer la rupture imprévue d'un ou de plusieurs composants du système de suspension, de telle nature à compromettre le contrôle de la bicyclette et entraîner des graves préjudices physiques pour le cycliste.

La responsabilité du propriétaire du vélo

- 1) Le système de suspension Marzocchi est conçu de manière à amortir les chocs ou les effets d'un fond routier non uniforme, afin de garantir au cycliste le contrôle optimal de son vélo.
Ce système n'a pas été conçu pour absorber les forces engendrées par des sauts ou d'autres manoeuvres acrobatiques effectuées sur son propre vélo. Au cas où le système de suspension Marzocchi serait mis à rude épreuve maintes fois par des sauts ou des exercices acrobatiques, l'un ou plusieurs composants pourraient subir des ruptures imprévues qui entraîneraient la perte du contrôle du moyen et des lésions graves au cycliste.
- 2) Quelques parties intégrantes du vélo, telles que les freins, le pivot, les pneus, l'ensemble roue et sélecteur des vitesses, pourraient n'avoir pas été réglées lors de l'installation du système de suspension Marzocchi sur le vélo. Avant de se mettre en selle, veiller à ce que toutes les parties aient été correctement réglées et qu'elles fonctionnent de manière appropriée.
- 3) Tous les composants du système de suspension devront être correctement assemblés et solidement serrés aux valeurs de couple indiquées. Contrôler périodiquement le couple de ces composants pour en vérifier la précision. Un assemblage fautif et un serrage inadapté des composants, pourrait occasionner la rupture imprévue d'un ou de plusieurs éléments, ce qui pourrait être préjudiciable au contrôle du moyen et entraîner des graves lésions au cycliste.
- 4) Il est évident que l'utilisation des mountain-bikes et des autres types de vélo peut entraîner des risques. Malgré l'emploi de tous les dispositifs visés à la sécurité du vélo ainsi que du cycliste, il peut se vérifier des dommages pour tous les deux. Cela rentre dans le cadre des responsabilités qui engagent le cycliste. Pour réduire le risque d'accidents, toutes activités devront être effectuées sous une attention supervision et uniquement après une période d'entraînement et d'expérience appropriés. La pleine forme physique du cycliste et l'état optimal de la bicyclette sont deux éléments fondamentaux pour garantir un contrôle fiable du moyen.



(F) 27

- 5) Prendre soin de lire et de suivre les instructions et les avertissements fournis à l'origine avec le vélo. On préconise également, afin de garantir une plus grande sécurité et protection, de porter un casque de protection de qualité et d'installer d'autres dispositifs de sécurité tels que les feux, des réflecteurs ou de porter des vêtements appropriés, réalisés avec du matériau réfringent . Dans certaines villes ou nations l'usage du casque de protection combiné avec d'autre dispositifs de sécurité est obligatoire. Il faut respecter toutes les dispositions réglant la circulation routière ainsi que toutes les normes relatives aux dispositifs de sécurité, prenant soin d'utiliser le vélo uniquement où il est permis de circuler.
- 6) En cas d'informations complémentaires à nous soumettre, nous vous prions de téléphoner ou d'écrire à l'adresses mentionnées à page 47-48.

Vous serez considérés responsables de l'application exacte des instructions d'assemblage contenues dans ce manuel.

Toujours conduire dans le respect total des normes de sécurité et en prenant la plus grande attention.



Respectez la Nature dans tous vos déplacements!





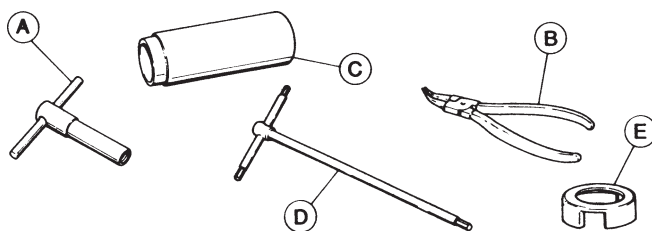
28 F

REGLES GÉNÉRALES

1. Pour monter ou démonter le système de suspension au niveau des parties où il est spécifié, utiliser uniquement les outils spéciaux MARZOCCHI ou LARM, dont la description est donnée sur le tableau ci-après.
2. Lors du remontage du système de suspension, utiliser toujours des joints neufs.
3. Si deux vis sont proches l'une de l'autre, toujours suivre la séquence 1-2-1 pour les serrer. C'est-à-dire qu'il faut serrer la première vis jusqu'à ce qu'elle résulte bien fixée, passer ensuite à la deuxième et uniquement par la suite retourner à la première vis, pour la reserrer plus solidement.
4. Nettoyer toutes les parties métalliques en utilisant un solvant spécifique, de préférence biodégradable, tel que le trichloroéthane ou trichloroéthylène.
5. Avant de remonter les éléments, graisser toutes les parties au contact l'une de l'autre, en utilisant de la graisse nébulisée au silicone ou bien de l'huile spécifique pour joints spy.
6. Graisser toujours les joints à lèvres d'étanchéité huile avant du remontage.
7. Utiliser uniquement des clés métriques. Les clés en pouces pourraient endommager les dispositifs de fixation même si la dimension respective s'approchait de la dimension des clés métriques.

OUTILLAGE SPECIFIQUE

Réf.	Art. MARZOCCHI	Art. LARM	Description	Utilisation
A	104	60.32	Extracteur de bouchon	Pour enlever le bouchon du plongeur (XCR / DH3 / XC 400 - 500 - 600 - 700)
B	R5043	60.21	Pince à pointe pliée	Pour démonter la bague de butée du MIM (XCR / DH3 / XC 400 - 500 - 600 - 700)
C	R5047	60.34	Outil de montage MIM	Pour introduire le joint spy dans le fourreau (XCR / DH3 / XC 600 - 700)
D	R5024	60.27	Clé a "T" 6 mm	Pour enlever le plongeur (XCR / DH3)
E	R5048	60.38	Bague de protection	Pour sortir le joint spy (XCR / DH3)



Si vous ne disposez pas de cet équipement, adressez-vous aux "Centres de Service Après Vente MARZOCCHI".



INCONVÉNIENTS, CAUSES ET REMÈDES

Ce paragraphe indique quelques inconvénients qui peuvent se vérifier lors de l'utilisation de la fourche. Il précise les causes qui peuvent les avoir provoqués et il suggère le remède éventuel. Veuillez consulter toujours ce tableau avant d'intervenir sur la fourche.

INCONVENIENTS	CAUSES	REMEDES
Fuites d'huile au joint spy.	1) Usure du joint spy 2) Plongeur rayé 3) Excès de crasse sur le joint spy	1) Remplacer le joint spy 2) Remplacer le joint spy et le plongeur 3) Remplacer le joint spy
Perte de pression.	1) Raccord d'air bouchon de gonflage lâche 2) Joint torique du bouchon abîmé	1) Serrer à fond le bouchon ou remplacer le raccord d'air 2) Remplacer le joint torique et vérifier que l'emboîtement du joint sur le bouchon soit intact. Remplacer le corps bouchon
Après une période d'inactivité, la fourche a tendance à se bloquer dans sa course initiale.	Le joint spy et le cache-poussière ont tendance à se coller au plongeur	Soulever le cache-poussière et graisser avec de l'huile le joint d'étanchéité et le cache-poussière
Le frein n'est plus constant comme à l'origine	1) Segment sur le tige intérieur abîmé 2) Huile épuisée	1) Remplacer le segment. Contrôler que l'emboîtement sur la tige intérieure soit intact 2) Changer l'huile
La fourche arrive facilement en fin de course	1) Pression trop basse 2) Niveau d'huile bas	1) Contrôler la pression 2) Remettre l'huile à niveau.
Même avec basse pression la fourche est trop progressive	Niveau d'huile trop élevé	Abaisser le niveau d'huile
La fourche retourne trop rapidement	La crasse interne empêche une fermeture aisée des soupapes	Nettoyer soigneusement et remplacer l'huile

CONSEILS POUR L'UTILISATION

Les fourches MARZOCCHI se basent sur une technologie avancée, supportée par de nombreuses années d'expérience dans le domaine des professionnels de la "mountain bike". Afin d'obtenir les meilleurs résultats, après toute utilisation du vélo, on préconise de contrôler et par conséquent de nettoyer, la partie en dessous du joint et le plongeur en ayant soin de lubrifier avec huile au silicone.



30 **F**

Il faudra soumettre à une révision périodique tous les composants du système de suspension Marzocchi ainsi que le vélo entier. La périodicité de ces contrôles dépendra du type d'utilisation à laquelle le vélo est destiné. Pour des informations à ce propos, consulter le tableau ci-après. Veiller à ce qu'aucun dispositif de fixation n'ait pas été serré de manière excessive ou insuffisante. Éliminer la présence du jeu éventuel ou relâchement s'étant établi entre les composants du système de suspension ou du vélo. Vérifier qu'aucun composant du système de suspension ou du vélo ne soit pas cassé, recourbé, non aligné de façon inappropriée ou qui ne fonctionne pas bien. En cas de détection d'anomalie, éviter de se mettre en selle jusqu'à ce que cette irrégularité de fonctionnement ait été localisée et réparée par un expert. Le manque de contrôles soignés du système de suspension et du vélo entier pourrait occasionner la rupture imprévue d'un ou de plusieurs composants, ce qui entraînerait également la perte du contrôle du vélo et des dommages sérieux au cycliste.

CATEGORIE DE CYCLISTES	PERIODICITE DES CONTROLES
Cyclistes occasionnels, fervents	Toutes les 50 heures d'utilisation
Cyclistes mordus, se mesurant fréquemment sur des terrains difficiles; cyclistes qui abordent des parcours en conditions extrêmes de conduite (en cas de boue, pluie, orages, basses températures, etc) ou qui s'entraînent en selle de sa propre bicyclette	Toutes les 20 heures d'utilisation
Cycliste professionnels ou athlètes	Après chaque compétition



INSTALLATION (voir figures sur la feuille pliée jointe au livret)

IMPORTANT: L'installation de la fourche MARZOCCHI sur le cadre est une opération très délicate qui doit être effectuée très attentivement, en respectant les indications suivantes. Faites contrôler cette installation auprès de l'un de nos Centres de Service Après Vente.

- La distance "H" séparant la base et l'extrémité du pneu gonflé ne doit pas être inférieure à la course totale + 3 mm (Voir Fig. a).
Par exemple: la fourche DH3 a une course totale de 77 mm. Lors du montage, la distance "H" minimale devra être de $77+3=80$ mm.
- Insérer à fond le pivot dans la base et serrer les vis de fixation (Réf. 9, voir Fig. b) à l'aide d'une clé appropriée avec couple de serrage 11 Nm.

⚠ ATTENTION: Réaliser le montage et le réglage du pivot en respectant les indications du Fabricant du groupe direction en installant soit un pivot fileté, soit un pivot "A-Head Set". Un montage erroné peut être préjudiciable pour la sécurité et l'intégrité physique du cycliste

- Contrôler le serrage des vis (Réf. 3, voir Fig. c) de fixation des plongeurs sur la base et celles (Réf. 10, voir Fig. c) de l'arceau de raidissement sur les tubes extérieurs.





F 31

Choisir le couple de serrage indiqué par le tableau ci-dessous:

Diamètre filetage	Couple de serrage Nm
M5	9
M6	11

- La came de fixation câbles de commande patins du frein doit être placée de telle sorte que les deux angles ("α", Fig. d) résultent identiques et symétriques par rapport à l'axe du pivot. Il faut que le câble se maintienne rectiligne pour une longueur de 50 mm au moins, afin de rendre possible un courbement correct pendant toute la course de la fourche. Seulement dans cette condition le fonctionnement de la came résultera optimale.

Adopter la procédure suivante pour déplacer le frein avant sur le levier droit.

- Dévisser et enlever la vis (1) et la came (2) placées selon la Fig. d.
- Renverser la came et la bloquer avec la vis suivant la Fig. e avec couple de serrage 9 Nm.
- Couper la gaine sur mesure, de manière à obtenir une longueur rectiligne de 50 mm au moins.

NOTA: N'utiliser que du câble pour freins.

- Introduire le câble court (4) dans le cantilever gauche et le bloquer avec la fixation d'origine.
- En maintenant la came toujours positionnée selon la Fig. e, bloquer le câble (4) sur la came avec la vis (5) et la plaquette (6).
- Introduire le collier (8) (livré en dotation à la fourche) et le bloquer sur le câble de commande (7) en respectant la condition de la figure (angles "α" identiques et symétriques par rapport à l'axe de direction).

NOTA: La vis du collier doit être toujours serrée sur le câble à un couple de serrage de 5 Nm.

ATTENTION: Le dévissage du collier provoque la perte de l'effet de freinage sur la roue avant de la MTB.

- Régler les freins comme recommandé par le Fabricant de freins.

ATTENTION: après avoir monté la fourche sur le cadre, il faut la laisser en position verticale pendant 3-4 heures au moins, à la position de réglage "1". Cela est nécessaire pour permettre à l'huile de remplir toutes les conduites intérieures, après le transport en position horizontale. Seulement de cette façon votre fourche résultera bien fonctionnante.

DÉCOMPOSITION (voir figures sur la feuille pliée jointe au livret)

Les numéros de référence de ce chapitre se rapportent aux composants de l'éclaté fourche montrée sur la feuille pliée jointe au livret.

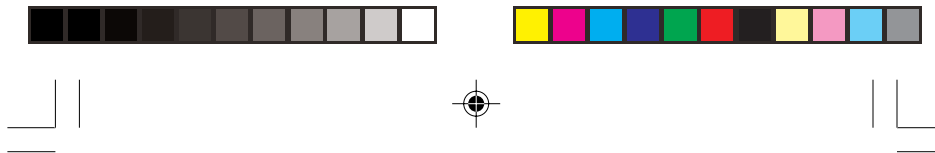
FIG. 1

Desserrer les vis (10) qui fixent l'arceau de raidissement (305) aux fourreaux.

FIG. 2

Enlever les jambes de fourche de la base en desserrant les vis (3) sur les colliers de serrage.





32 F

FIG. 3

Enlever la partie supérieure des plongeurs de la base.

FIG. 4

Avant d'effectuer toute opération d'entretien ou de remplacement de pièces, il est nécessaire de mettre l'air présente dans les deux jambes à la pression atmosphérique en intervenant sur les raccords d'air, après avoir enlevé les capuchons de protection (303).

FIG. 5

Visser l'outil spécial A (Art. MARZOCCHI 104 - Art. LARM 60.32) sur la partie fileté saillant du bouchon.

Pousser le bouchon (17) dans le plongeur (19) tant qu'il suffit pour pouvoir agir sur la bague de butée. Retirer l'outil.

FIG. 6

A l'aide d'un tournevis sortir la bague de butée (38H) supérieure.

FIG. 7

Visser à nouveau l'outil A (Art. MARZOCCHI 104 - Art. LARM 60.32) et sortir le bouchon (17) du plongeur. Tirer avec force pour surmonter la résistance du joint torique d'étanchéité (4).

FIG. 8

Vidanger l'huile contenue à l'intérieur de la jambe en amorçant avec le fourreau pour permettre l'évacuation complète de l'huile.



ATTENTION: ne pas jeter l'huile épuisée, puisqu'elle est nocive pour l'environnement!

FIG. 9

Insérer la partie inférieure du fourreau (24-25) dans un étau pourvu de mâchoires en aluminium et en protéger la surface avec un chiffon. A l'aide de la clé spéciale D (Art. MARZOCCHI R 5024 - Art. LARM 60.27) dévisser la tige intérieure(53).

FIG. 10

Sortir le plongeur complet (19) de l'intérieur du fourreau.

FIG. 11

Sortir la tige intérieure (53) du plongeur (19) et vérifier les conditions du segment (48) d'étanchéité et de la bague (320) de fin-de-course. Remplacer ces pièces si usées.

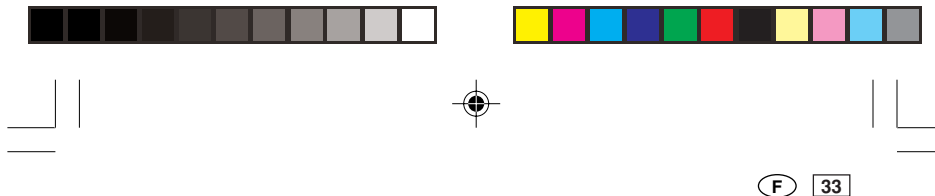
FIG. 12

Sortir le cache-poussière (20) placé sur le sommet du tube extérieur, en faisant levier vers le haut avec un tournevis.

FIG. 13

Sortir la bague de butée (38) de l'intérieur du fourreau à l'aide de pinces pointues B (Art. MARZOCCHI R 5043 - Art. LARM 60.21).





F 33

FIG. 14

Sortir le joint spy (22), à l'aide d'un tournevis.
Protéger le bord extérieur du fourreau avec l'anneau spécial E (Art MARZOCCHI R 5048 - Art LARM 60.38) durant l'opération d'extraction.

FIG. 15

Dégager du fourreau (24-25) la coupelle inférieure (139) et la bague de guidage (56). Examiner les composants retirés pour pouvoir en déterminer l'état d'usure.

FIG. 16

L'ensemble de réglage peut être démonté uniquement en cas de fuites d'huile sortant du joint torique. Dans ce cas s'adresser au «Service Après-Vente MARZOCCHI» plus proche.

La poignée de réglage (321) est fixée au corps clapet avec une vis extérieure. Eviter de défaire cette vis puisque, étant montée avec «Loctite», on pourrait endommager l'emplacement du clapet. Pour déposer le bouton de réglage (181) il faut retirer le joint torique extérieur (OR) à l'aide d'un petit tournevis; ensuite à l'aide d'une pointe de 1 mm, pousser l'arrêt du clapet à l'extérieur. Dégager le bouton de réglage complet du fourreau.

RECOMPOSITION (voir figures sur la feuille pliée jointe au livret)

ATTENTION: Tous les composants doivent être lavés soigneusement et séchés à l'air comprimé avant d'être remontés. Un soin particulier doit être réservé au nettoyage du clapet de fond.

FIG. 1

Monter sur la tige intérieure (53) le segment d'étanchéité (48) et la bague de fin-de-course (320) bien graissés. Introduire la tige intérieure avec les bagues dans le plongeur.

FIG. 2

Introduire doucement le plongeur (19) dans le fourreau et pousser la tige intérieure jusqu'au fond.

FIG. 3

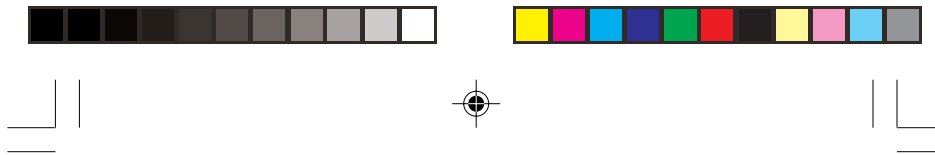
Bloquer la partie inférieure du fourreau (24-25) en étau pourvu de mâchoires en aluminium et en protéger la surface avec un chiffon. Utiliser la clé spéciale D (Art. MARZOCCHI R 5024 - Art. LARM 60.27) pour bloquer la tige intérieure (53) sur le fourreau au couple de serrage de 20 Nm.

FIG. 4

Insérer dans le plongeur (19) la bague de guidage (56), la coupelle inférieure (139) et le joint spy (22), bien lubrifiées. Les pousser vers le fourreau et emboîter la bague dans son emplacement.

FIG. 5

En utilisant l'outil spécial d'introduction C (Art. MARZOCCHI R 5047 - Art. LARM 60.34) pousser les éléments ci-dessus dans le fourreau.



34 F

FIG. 6

Introduire la bague de butée (38) dans son emboîtement sur le fourreau et contrôler, en appuyant sur celle-ci en plusieurs endroits, qu'elle soit correctement installée.

FIG. 7

Remonter le cache-poussière (20), bien graissé, en l'insérant doucement dans le plongeur.

FIG. 8

Verser de l'huile "MARZOCCHI Art. 52.51" à l'intérieur du plongeur en amorçant avec le tube à plusieurs reprises pour permettre à l'huile de remplir tout le volume à l'intérieur.

FIG. 9

Veiller à ce que le plongeur soit en butée sur le fond du fourreau et vérifier que le niveau soit à 35 mm du sommet.

FIG. 10

Visser l'outil A (Art. MARZOCCHI 104 - Art. LARM 60.32) sur la partie fileté saillant du bouchon (17).

Graisser le joint torique (4) et remettre le bouchon (17) à l'intérieur du plongeur. Ensuite le pousser jusqu'à dépasser l'emplacement de la bague de butée.

FIG. 11

Remonter la bague de butée (38H) supérieure et gonfler (pression air standard: 3,5 Bar /51 psi). Remettre les capuchons de protection (303) en place et monter les jambes de fourche sur la base suivant les indications du chapitre «INSTALLATION».





(F) 35

Designation des composants figurant sur la fourche représentée graphiquement sur la feuille pliée jointe au livret.

REF	DESIGNATION
3	VIS
4	JOINT TORIQUE
9	VIS
10	VIS
14	PIVOT
15	BASE
16	PIVOT + BASE
17	BOUCHON SUP.
19	PLONGEUR
20	CACHE-POUSSIÈRE
22	JOINT SPY
24	FOURREAU DROITE
25	FOURREAU GAUCHE
38	BAGUE DE BUTÉE
38H	BAGUE DE BUTÉE
53	TIGE INTERIEURE
56	BAGUE SUPERIEURE
84	SOUPAPE
91	SOUFLET
139	COUPELLE INF.
181	ENSEMBLE CLAPET
200	JOINTS COMPLETE
303	BOUCHON DE PROT.
304	PIVOT DE GUIDAGE
305	ARCEAU
316	CAME
322	VIS POUR CAME
504	BANDE ADHESIVE DROITE
505	BANDE ADHESIVE GAUCHE





36 D

ALLGEMEINES

Luft-/Ölgefedert mit Mehrventil-System.
Luftdruckregulierung anhand eines Schröder-Ventils.
Einfache und schnelle Dämpfregulierung mittels eines außenliegenden Einstellknopfes mit 6 Stellungen auf jedem Standrohr.

Gewicht: 1466 Gramm (3.23 lbs).

Standard Luftdruck: 3,5 Bar (51 psi).

Gabelschaft: Hochwiderstandsfähiger Stahl, varrierbare Wandstärke, verfügbar in Versionen von 1" - 1 1/8" - 1 1/4".

Gabelkopf: Offset aus T6-6082 Legierung, gegossen und zur Gewichtsminderung außen bearbeitet.

Bremsbügel: Druckguß.

Tauchrohre: Aus speziellem hoch widerstandsfähigen Chrommolybdän-Stahl, hartverchromt - Ø26 mm.

Beine: Zum Erhalt einer niedrigen Anlaufreibung aus einer speziellen Aluminiumlegierung gegossen.

Federweg: 77 mm (3 Zoll).

Dichtungen: Die am Computer entworfenen Dichtungen sichern eine maximale Dichtung. Das Design der Bestandteile liegt exklusiv bei Marzocchi und bietet maximale Zuverlässigkeit.

Öl: Öl nach einer Spezialformel, verhindert die Schaumbildung und hält die Viskositätseigenschaften unverändert aufrecht, während es hohe Leistungen bietet; ohne Anlaufreibung: SAE 20 (Art. 52.51).

Mit der Gabel werden:

- Garantie
- Anleitungsheft
- Technische Beschreibungen
- Klemme für Bremskabelanschluß
- Adaptor.

DH3	DOWN - HILL
XC 700	CROSS - COUNTRY
XCR	CROSS - COUNTRY
ZOKES-PRO	NICHT FÜR WETTKAMPF
ZOKES 2 / ZOKES TREKKING	NICHT FÜR WETTKAMPF



INFORMATIONEN FÜR DEN FAHRRADBESITZER

WICHTIG: Der Einbau eines Marzocchi-Aufhängesystems stellt eine extrem delikate Arbeitsausführung dar, die mit besonderer Vorsicht ausgeführt werden muß. Die vorliegenden Einbau- und Wartungsanweisungen sind Fahrradmechaniker-Experten vorbehalten und müssen strikt nach Anleitung erfolgen. Ein Nicht-Beachten der gelieferten Anweisungen, kann zu Schäden an einem oder mehreren Bestandteilen des Marzocchi-Aufhängungssystems führen. Ein solcher Schaden könnte nicht sofort oder auf den ersten Blick erkennbar sein und kann später zu einem plötzlichen Bruch einer oder mehrerer Teile des Aufhängungssystems führen, mit einem derartigen Ausmaß, welches zum Kontrollverlust des Fahrrades und zu schweren Verletzungen des Radfahres führen kann.

Fahrrad-Eigentümergeverantwortung

1. Das Marzocchi-Aufhängesystem wurde in einer Art und Weise entworfen, die es ermöglicht, Stöße oder die Auswirkungen einer unebenen Straßenaufgabe abzumildern, um dadurch dem Radfahrer eine bessere Kontrolle über sein Fahrrad zu sichern.
Dieses System wurde nicht dafür entworfen, um die durch Sprünge oder andere im Sattel des eigenen Fahrrads ausgeführten akrobatischen Manöver entstandenen Belastungen abzufangen. Falls das Marzocchi-Aufhängungssystem in wiederholter Weise harten Belastungsproben wie Sprüngen oder Akrobatiken ausgesetzt wird, kann es vorkommen, daß eine oder mehrere Komponenten des selbigen plötzlich brechen können, was zum Verlust der Fahrradkontrolle und zu schweren Verletzungen des Fahrers führen kann.
2. Es kann vorkommen, daß einige Bauteile des Fahrrads, wie Bremsen, Gabelschaft, Reifen, Radaggregat und Gangschaltungshebel beim Einbau der Marzocchi-Aufhängung am Fahrrad nicht eingestellt wurden. Aus diesem Grund ist, vor dem Aufsteigen auf das Fahrrad, zu kontrollieren, ob auch alle Teile korrekt eingestellt wurden und in geeigneter Weise funktionieren.
3. Alle Bestandteile des Aufhängungssystems müssen korrekt zusammengesetzt und fest auf die angegebenen Werte angezogen werden. In regelmäßigen Abständen den Anzug dieser Teile überprüfen und sich so von der Korrektheit überzeugen. Wird der Zusammenbau und der angemessene Anzug nicht korrekt ausgeführt, kann es zum plötzlichen Bruch eines oder mehrerer Elemente kommen, die dann zum Verlust der Kontrolle des Fahrrades und letztendlich zu schweren Verletzungen führen könnten.
4. Mountain-Bikes und andere Fahrradarten unterliegen Gefahren. Trotz des Einsatzes aller Sicherheitsvorrichtungen, sowohl für das Fahrrad, als auch den betreffenden Radfahrer, können sich Schäden an beiden ergeben. Dies gehört in den Verantwortungsbereich des Radfahres. Um das Unfallrisiko einzuschränken, müssen alle diesbezüglichen Tätigkeiten unter einer aufmerksamen Beaufsichtigung und nur nach einer Trainingzeit und dementsprechenden



38

D

Erfahrung ausgeführt werden. Eine gute körperliche Form des Radfahrers und ein optimaler Zustand des Rades, sind die grundlegenden Elemente zur Sicherung einer sicheren Fahrzeugkontrolle.

5. Lesen und befolgen Sie in aufmerksamer Weise alle Anleitungen und Warnungen, die gemeinsam mit dem Fahrrad geliefert werden. Desweiteren, wird zur Garantie einer höheren Sicherheit und eines besseren Schutzes empfohlen, einen qualitativ guten Schutzhelm zu tragen und weitere Schutzvorrichtungen wie Lichter, Rückstrahler oder das Tragen von geeigneter Fahrradkleidung aus rückflekterendem Material vorzunehmen. In einigen Städten und Staaten wurde die Anwendung eines Schutzhelms, gemeinsam mit anderen Sicherheitsmaßnahmen vorgeschrieben. Es ist sich an alle Anweisungen, die den Straßenverkehr betreffen, sowie an alle Sicherheitsnormen zu halten, dabei ist darauf zu achten, das Fahrrad nur an den Orten zu verwenden, an denen dessen Verkehr erlaubt wurde.
6. Bei Fragen an uns, bitten wie Sie, sich telefonisch oder schriftlich mit uns unter den auf Seite 47-48 angegebenen Adressen zu setzen.

Wir machen Sie für die korrekte Applikation der Zusammenstellungsanleitungen, die in diesem Heft enthalten sind, verantwortlich.

Fahren Sie immer unter der vollsten Berücksichtigung der Sicherheitsvorschriften fahren! Immer die größte Vorsicht anwenden!



Nehmen Sie bei allen Ihren Fahrten Rücksicht auf die Natur!





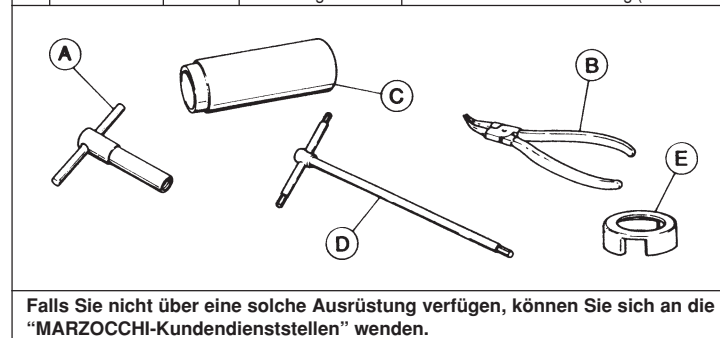
D 39

ALLGEMEINE NORMEN

1. Dort wo spezifiziert das Aufhängungssystem nur mit den Spezialwerkzeugen MARZOCCHI oder LARM, von denen hier in der folgenden Tabelle eine Beschreibung gegeben wird zusammen und auseinanderbauen.
2. Beim Wiederzusammenbau der Aufhängung immer neue Dichtungen verwenden.
3. Falls zwei Schrauben eng nebeneinander liegen, zum Befestigen immer eine Sequenz von 1-2-1 befolgen. Das bedeutet, die erste Schraube nur soweit anziehen, bis sie gut festsitzt, dann zur zweiten Schraube übergehen und erst danach wieder zur ersten Schraube zurückkehren, um zu sichern, daß diese noch fester angezogen wird.
4. Alle Metallteile unter Anwendung eines eigens dazu bestimmten und biologisch abbaubaren Lösungsmittels, wie Trichloräthan oder Trichloräthylen, säubern.
5. Vor dem Zusammenbau alle untereinander in Kontakt stehenden Teile unter Anwendung eines Silikonfettsprays oder einem speziellen Öldichtungsfett schmieren.
6. Vor dem Wiederzusammenbau sind die Öldichtungslippen immer gut einzufetten.
7. Nur metrische Schlüssel verwenden. Die Zollschlüssel könnten die Befestigungsvorrichtungen beschädigen, dies auch dann, wenn sich die entsprechenden Maße denen der metrischen Schlüssel nähern.

SPEZIFISCHE AUSTRÜSTUNG

Bez.	Art. MARZOCCHI	Art. LARM	Beschreibung	Anwendung
A	104	60.32	Ventilausheber	Zum Lösen des kompletten oberen Ventils aus dem Tauchrohr (XCR / DH3 / XC 400 - 500 - 600 - 700)
B	R5043	60.21	Rundzange	Zum Abnehmen der Halterung (XCR / DH3 / XC 400 - 500 - 600 - 700)
C	R5047	60.34	MIM-Montagewerkzeug	Zum Einführen der Öldichtung in das Standrohr (XCR / DH3 / XC 600 - 700)
D	R5024	60.27	6mm "T"-Schlüssel	Zum Lösen des Gleitrohr (XCR / DH3)
E	R5048	60.38	Schutzring	Zum Abnehmen der Öldichtung (XCR / DH3)





40 D

MÄNGEL, URSACHEN UND ABHILFEN

Dieser Paragraph zeigt einige Mängel auf, die sich beim Gebrauch der Gabel bewahrheiten könnten, dazu die Ursachen, die diese hervorgerufen haben können und gibt eventuelle Abhilfen an. Immer erst die Tabelle konsultieren, bevor man zum Eingriff auf die Gabel übergeht.

MÄNGEL	URSACHEN	ABHILFEN
Ölverluste an der Öldichtung	1) Abnutzung der Öldichtung 2) Verkratztes Tauchrohr 3) Übermäßiger Schmutz auf der Öldichtung	1) Die Öldichtung austauschen 2) Die Öldichtung und das Standrohr austauschen 3) Die Öldichtung austauschen
Druckverlust	1) Ventil des Aufpumpverschlusses locker 2) O-Ring des Ventils beschädigt	1) Den Verschluss ganz anziehen oder das Luftventil austauschen 2) O-Ring austauschen und überprüfen, ob der Sitz des O-Rings noch intakt ist. Den Verschlusskörper austauschen
Nach längerem Nichtverwenden, neigt die Gabel beim Anlauf zur Blockierung	Die Öldichtung und der Staubstreifer neigen zum Ankleben am Tauchrohr	Staubstreifer anheben und diesen und die Öldichtung mit Öl schmieren
Die Bremse ist nicht mehr so konstant wie am Anfang	1) Das Segment an der Innenstange ist verschlissen. 2) Öl verbraucht	1) Das Segment austauschen. Überprüfen ob der Sitz auf den Stab/Dicht-ring intakt ist 2) Öl austauschen
Die Gabel erreicht leicht den Endanschlag	1) Druck zu niedrig 2) Niedriger Ölstand	1) Druck überprüfen 2) Ölstand nachfüllen
Die Gabel reagiert auch bei niedrigem Druck zu progressiv	Ölstand zu hoch	Ölstand senken
Die Gabel kommt zu schnell zurück	Schmutz im Inneren hindert einen guten Verschluss der Ventile.	Akurat säubern und Öl austauschen

ANWENDUNGSEMPFEHLUNGEN

Die MARZOCCHI-Gabeln basieren sich auf einer fortschrittlichen Technologie, gestützt durch die langjährige Erfahrung im Bereich der Profi-Mountainbikes. Um nach jedem Einsatz des Fahrrades erneut die besten Ergebnisse erreichen zu können, wird darauf hingewiesen, den unter der Öldichtung und dem Tauchrohr liegenden Bereich zu kontrollieren und erneut zu säubern und sorgfältig mit Silikonöl zu schmieren.



D 41

Desweiteren müssen alle Komponenten des Marzocchi-Aufhängungssystems, sowie das gesamte Fahrrad regelmäßigen Instandhaltungsarbeiten unterzogen werden. Die Frequenz dieser Kontrollen hängt dann von der Anwendungsart des Fahrrades ab. Hinsichtlich der entsprechenden Informationen, ist die folgende Tabelle zur Hand zu nehmen. Dabei ist jede Befestigungsvorrichtung zu kontrollieren, um hierbei festzustellen, ob sie nicht zu fest oder auch zu wenig angezogen wurden. Das Vorhandensein eines eventuell möglichen Spiels oder einer Lockerung, welche sich zwischen den Elementen des Aufhängungssystems oder des Fahrrades ergeben können, muß ausgeschlossen werden. Prüfen, daß keine Komponente des Aufhängungssystems oder des Fahrrades gebrochen, verbogen, in ungeeigneter Weise außerhalb der Fluchtung liegt oder nicht korrekt funktioniert. Im Fall, in dem Störungen erhoben werden, ist ein Aufsteigen auf das Rad zu verhindern, bis nicht der Grund dieser Funktionsunregelmäßigkeit erkannt und von einem Fachmann behoben wurde. Ein Fehlen von korrekten Kontrollen am System der Aufhängung und am gesamten Fahrrad kann zum plötzlichen Bruch einer oder mehrerer Bestandteile führen und im gleichen Moment zum Verlust der Kontrolle des Fahrrads und zu schweren Verletzungen des Radfahrers führen.

FAHRERKATEGORIEN	KONTROLLFREQUENZ
Gelegenheitsfahrer, Liebhaber	nach jeweils 50 Anwendungsstunden
Entschlossene Fahrer, die sich häufig auf schwierige Strecken begeben; Fahrer, die auf Extremstrecken fahren (bei Schlamm, Regen, Gewittern, niedrigen Temperaturen, usw.) oder die auf dem eigenen Sattel trainieren	nach jeweils 20 Anwendungsstunden
Professionisten oder Athleten	nach jedem Wettkampf

EINBAU (siehe Abbildungen auf dem Falblatt, als Heftbeilage)

WICHTIG: Der Einbau der MARZOCCHI Gabel auf den Rahmen, ist ein sehr delikater Arbeitsvorgang, der mit besonderer Vorsicht nach den in Folge aufgeführten Anleitungen ausgeführt werden muß. Lassen Sie den Einbau bei einem unserer Kundendienststellen überprüfen!

- Der Abstand "H" zwischen Gabelkopf und dem äußersten Punkt des Reifens (aufgepumpt) darf nicht unter dem Gesamthub von + 3 mm liegen (siehe Abb. a). Hat die Gabel DH3 einen Gesamthub von 77 mm, muß bei der Montage ein Mindestabstand von $H=77+3=80$ mm vorhanden sein.
- Den Gabelschaft bis zum Boden in der Gabelkopf einstecken und die Befestigungsschrauben (Bez. 9, siehe Abb. b) mit einem geeigneten Schlüssel auf einen Anzugsmoment von 11 Nm festziehen.

⚠ ACHTUNG: Die Montage und die Einstellung des Gabelschafts müssen, sowohl bei einem Gewinderohr, als auch bei "A-Head Set"-Gabelschaft, nach den Herstelleranleitungen für die Gabeleinheit erfolgen. Eine nicht korrekte Montage kann sich negativ auf die Sicherheit des Fahrers auswirken.

- Den Anzug der Befestigungsschrauben (Bez. 3, siehe Abb. c) der Tauchrohre auf dem Gabelkopf und den (Bez. 10, siehe Abb. c) der Befestigungsschrauben des Verstärkungsbügels an den Standrohren überprüfen.



42 **D**

Den vorgeschriebenen Anzugsmoment anhand der unten angeführten Tabelle festlegen.

Gewindedurchmesser	Anzugsmoment Nm
M5	9
M6	11

– Die Befestigungswippe der Bremsbacken-Steuerkabel muß in eine Stellung gebracht werden, in der die beiden Ecken ("α", Abb. d) gleich und symmetrisch zur Gabelschaftachse stehen. Außerdem muß das Bremskabel mindestens 50 mm hinweg geradlinig verlaufen, um eine korrekte Krümmung während des gesamten Federwegs der Gabel vorauszugeben. Nur unter dieser Bedingung funktioniert die Wippe optimal.

Zum Versetzen der Vorderradbremse am rechten Hebel ist in der folgenden Weise vorzugehen:

- Die in der Abb. d dargestellte Schraube (1) und die Wippe (2) aufschrauben und abnehmen.
- Die Pleuelstange umdrehen und sie feststellen, indem man die Schraube, so wie auf der Abb. e auf einen Anzugsmoment von 9 Nm anzieht.
- Den Kabelmantel auf Maß schneiden, dabei muß jedoch ein gerades Stück von mindestens 50 mm verbleiben.

Anmerkung: Nur Bremszugseile verwenden.

– Das kurze Kabel (4) in das linke freitragende Element (Cantilever) einführen und mit der Originalbefestigung feststellen.

– Während man die Wippe immer in der Abb. e dargestellten Stellung hält, das Kabel (4) mit der Schraube (5) und dem Plättchen (6) auf der Wippe feststellen.

– Die Klemme (8) (mit der Gabel mitgeliefert) einführen und am Zugseil (7) befestigen, dabei die auf der Abbildung angegebenen Bedingungen beachten (gegenüber der Gabelschaftachse symmetrische und gleiche "α" Winkel).

Anmerkung: Die Klemmschraube muß am Kabel bis zu einem Anzugsmoment von 5 Nm festgezogen werden.

⚠ ACHTUNG: Eine Lockerung der Klemme führt zum Verlust des Bremseffektes am MTB-Vorderrad.

– Die Einstellung der Bremsen wie von der Herstellerfirma vorgeschrieben durchführen.

⚠ ACHTUNG: Nach dem Einbau der Gabel am Rahmen, muß man sie für 3-4 Stunden mindestens, in senkrechter Stellung auf der Einstellung "1" belassen. Dies ist notwendig, um es dem Öl nach dem Transport in waagrechter Stellung zu ermöglichen, in alle Innenkanäle zu fließen. Nur dann bekommt die Gabel die volle Wirkung.

AUSBAU (siehe Abbildungen auf dem Falblatt, als Heftbeilage)

Die Bezugsnummern dieses Kapitels betreffen die Bestandteile der Gabelaufbauzeichnung auf dem beigelegten Falblatt

ABB. 1

Die Befestigungsschrauben (10) des Bremsbügels (305) von den Standrohren aufschrauben.





D 43

ABB. 2

Nach Lockern der Schrauben (3) auf den Anzugsklemmen, die Gabelholme vom Gabelkopf nehmen.

ABB. 3

Das obere Ende der Tauchrohre aus dem Gabelkopf ziehen.

ABB. 4

Vor jeder Durchführung von Arbeitsgängen zur Wartung oder zum Ersatz von Teilen, ist der sich in den beiden Holmen befindliche Luftdruck über die Ventile abzulassen, dies nachdem die oberen Ventilkappen (303) entfernt wurden.

ABB. 5

Das Werkzeug A (Art. MARZOCCHI 104 - Art. LARM 60.32) auf den geschnittenen Ventilüberstand schrauben.

Das obere komplette Ventil (17) soweit in das Tauchrohr (19) eindrücken, bis man an der Halterung arbeiten kann. Das Werkzeug entfernen.

ABB. 6

Die obere Halterung (38H) mit einem Schraubenzieher lösen.

ABB. 7

Das Werkzeug A (Art. MARZOCCHI 104 - Art. LARM 60.32) wieder einschrauben und das obere komplette Ventil (17) aus dem Tauchrohr herausziehen. Um gegen den Widerstand des O-Dichtungsring (4) ankommen zu können, muß man etwas Kraft anwenden.

ABB. 8

Mit dem Standrohr auf und ab pumpen, so daß das sich im Inneren des Holms befindliche Öl ganz abfließt.


 **ACHTUNG:** Der Umwelt zuliebe das Öl nicht weggießen.

ABB. 9

Den unteren Teil des Standrohrs (24-25) in einem Schraubstock mit Aluminiumbacken befestigen und die Oberfläche mit einem Lappen schützen. Mittels des Spezialschlüssels D (Art. MARZOCCHI R 5024 - Art. LARM 60.27) den Stab/Dichtring (53) abschrauben.

ABB. 10

Das Tauchrohr (19) komplett aus dem Inneren des Standrohrs ziehen.

ABB. 11

Den Stab/Dichtring (53) aus dem Tauchrohr (19) ziehen und den Zustand des Dichtsegments und des Anschlagrings überprüfen. Falls diese Bestandteile Abnutzungserscheinungen aufweisen, sind sie auszutauschen.

ABB. 12

Den oben an dem Standrohr befindlichen Staubstreifer (20) durch einen nach oben wirkenden Hebeldruck mittels eines Schraubenziehers herauspressen.





44 (D)

ABB. 13

Mit Hilfe einer Spitzzange B (Art. MARZOCCHI R 5043 - Art. LARM 60.21) den Sprengring (38) aus dem Inneren des Standrohrs entnehmen.

ABB. 14

Die Öldichtung (22) mit einem Schraubenzieher herausziehen. Während dieses Arbeitsganges den äußeren Rand des Standrohrs mit den Spezialring E (Art. MARZOCCHI R 5048 - Art. LARM 60.38) schützen.

ABB. 15

Den unteren Teller (139) und die Führungsbuchse (56) aus dem Tauchrohr nehmen. Dann, zur Festlegung deren Verschleißzustands, die entfernten Bestandteile überprüfen.

ABB. 16

Die Einstelleinheit darf nicht ausgebaut werden, den Fall ausgenommen, in dem sich Ölverluste am OR-Ring feststellen lassen. In diesem Fall muß man sich an die nächstliegende "Technische Kundendienststelle MARZOCCHI" wenden. Der Einstellknopf (321) ist am Ventilkörper mittels einer Außenschraube befestigt. Diese Schraube soll niemals ausgeschraubt werden, da sie mit "Loctite" montiert wurde, was beim Lockern zur Beschädigung des Ventilsitzes führen könnte. Zum Ausbau der Ventileinheit (181) den äußeren OR-Ring mittels eines kleinen Schraubenziehers abnehmen, d.h. mit einer Spitze von 1 mm die Halterung des Ventils herausdrücken. Die Ventileinheit komplett aus dem Tauchrohr nehmen.



WIEDERZUSAMMENBAU (siehe Abbildungen auf dem Faltblatt, als Heftbeilage)

WARNUNG: Vor einem Wiederausammenbau müssen alle Teile gut gesäubert und mit Druckluft getrocknet werden. Besondere Beachtung muß dem Einstellrad zugewandt werden.

ABB. 1

Das Dichtsegment (48) und den Anschlagring (320) auf den Stab/Dichtring (53) montieren. Den Stab/Dichtring (53) komplett mit den Dichtringen in das Tauchrohr einführen.

ABB. 2

Das Tauchrohr (19) vorsichtig in das Standrohr einführen, dann den Stab/Dichtring bis zum Boden einschieben.

ABB. 3

Den unteren Teil des Standrohrs (24-25) in einem Schraubstock mit Aluminiumbacken befestigen und die Oberfläche mit einem Lappen schützen. Den Stab/Dichtring (53) mit dem Spezialschlüssel D (Art. MARZOCCHI R 5024 - Art. LARM 60.27) am Standrohr auf einen Anzugsmoment von 20 Nm anziehen.

ABB. 4

Die Führungsbuchse (56), die untere Scheibe (139) und die Öldichtung (22), alles gut geschmiert, in das Standrohr einführen. Zum Tauchrohr hin eindrücken und die Buchse in ihren Sitz einlegen.





ⓓ 45

ABB. 5

Mit dem Spezialeinführer C (Art. MARZOCCHI R 5047 - Art. LARM 60.34) die oben genannten Elemente in das Tauchrohr einschieben.

ABB. 6

Die Halterung (38) in seine Vertiefung auf dem Standrohr legen und durch Drücken an mehreren Stellen, überprüfen, ob sie richtig eingebaut ist.

ABB. 7

Den gut geschmierten Staubstreifer (20) vorsichtig in das Standrohr einführen.

ABB. 8

"MARZOCCHI Art. 52.51-Öl" in das Tauchrohr geben und um die gesamte Verteilung des Öls im Tauchrohrvolumen zu erlauben, mit dem Rohr mehrmals auf- und ab pumpen.

ABB. 9

Sicherstellen, daß das Tauchrohr am Boden des Standrohres aufliegt und überprüfen ob der Pegel 35 mm vom Scheitelpunkt liegt.

ABB. 10

Das Werkzeug A (Art. MARZOCCHI 104 - Art. LARM 60.32) auf den geschnittenen Ventilüberstand schrauben.

Den O-Ring (4) einfetten, das obere komplette Ventil (17) in das Tauchrohr bringen. Über den Sitz der Halterung hinaus einschieben.

ABB. 11

Die obere Halterung (38H) einbauen und dann aufpumpen (Standarddruck: 3,5 Bar / 51 psi). Die oberen Ventilkappen (303) und die Holme am Gabelkopf wieder einbauen, wie im Kapitel "EINBAU" angegeben.





46 D

Bezeichnung des Bestandteile der Gabelaufbauzeichnung auf dem
Faltblatt, als Heftbeilage.

REF	BEZEICHNUNG
3	SCHRAUBE
4	O-RING
9	SCHRAUBE
10	SCHRAUBE
14	GABELSCHAFT
15	GABELKOPF
16	GABELSCHAFT + GABELKOPF
17	OBERES VENTIL KOMPLETT
19	TAUCHROHR
20	STAUBSTREIFER
22	ÖLDICHTUNG
24	STANDROHR RECHTS
25	STANDROHR LINKS
38	HALTERUNG
38H	HALTERUNG
53	STAB/DICHTRING
56	UNTERE FÜHRUNGSBUCHSE
84	VENTILEINSATZ
91	GUMMIFALTBALG
139	SCHEIBE
181	EINSTELL-RAD
200	REVISIONSKIT
303	OBERE VENTILKAPPE
304	FÜHRUNGSSTIFT
305	BREMSBÜGEL
316	BREMSWIPPE
322	SCHRAUBE FÜR WIPPE
504	LINKER AUFKLEBER
505	RECHTER AUFKLEBER



**WORLDWIDE MARZOCCHI SERVICE CENTERS****ANDORRA**

DANDY
16 Av.da Carlemany
ESCALDES
☎ +376 826308 - Fax +376 860248

ARGENTINA

INNOVATICA S.A.
Bmé. Mitre 699 7e P.
1036 BUENOS AIRES
☎/Fax +54 1 3281921

AUSTRIA

TRENDSPOORT GES. M.B.H. & CO.
Südtirolerstraße 1
A - 6911 LOCHAU
☎ +43 5574 47147 - Fax +43 5574 4714731

BELGIUM

RAK BIKE S.A.
2, Av. Ernestine
B - 1050 BRUXELLES
☎ +32 2 6409861 - Fax +32 2 6409831

CANADA

NORCO PRODUCTS LTD.
7950 Enterprise Street
BURNABY, B.C. - V5A 1V7
☎ +1 (604) 420-6616 - Fax +1 (604) 420-3835

CHILI

FABISA S.A.
Av. Americo Vespuccio 1851
RENCA, SANTIAGO DE CHILE
☎ +56 2 6018855 - Fax +56 2 6018832

COSTA RICA

XCESSO DEPORTIVO, S.A.
Centro Comercial Nova Centro
Moravia, Local No. 21
Apdo. 20-1200
SAN JOSE
☎ +506 2 245112 - Fax +506 2 245134

CZECH REPUBLIK

CYKLO BARTONICEK
Skladova 20
317 05 PLZEN
☎ +42 19 49148 - Fax +42 19 48548

DENMARK

BIKE SPORT INTERNATIONAL APS
Arnold Nielsens Blu. 68
DK - 2650 HVIDOVRE
☎ +45 36778303 - Fax +45 36777303

FINLAND

HELSINGIN MOUNTAIN BIKE KESKUS OY
Lanttasaarentie 54
SF - 00200 HELSINKI
☎ +358 0 6822397 - Fax +358 0 672896

FRANCE

PROPULS
Rue De Compagnonnage
F - 30133 LES ANGLÉS
☎ +33 90151515 - Fax +33 90256365

GERMANY

AUGUSTA RADSPORT VERTRIEBS GMBH
Derchinger Straße 153
D - 86165 AUSGBURG
☎ +49 821 27250 - Fax +49 821 2725299

GREAT BRITAIN

CYCOSYS DISTRIBUTION LIMITED
Unit 4, Faraday Court
Rankine Road
BASINGSTOKE, Hampshire RG24 OPF
☎ +44 1256 332248 - Fax +44 1256 812719

GREECE

KASSIMATIS FAMILY
8, Ippodamias Square
18531 PIRAEUS
☎ +30 1 4113654 - Fax +30 1 4119317



48

HONG KONG

CHUNG YUNG CYCLE CO.

132 San Fung Av., G/F
Sheung Shui, New Territories
☎ +852 6 703639 - Fax +852 6 795602

IRELAND

J.H.I. LTD.

3, McKee Road
FINGLASS, DUBLIN 11
☎ /Fax +354 1 8342170

JAPAN

CANNONDALE JAPAN

59-1 Hara Machi, Kawachinagano Shi
OSAKA FU 586
☎ +81 721 565770 - Fax +81 721 565772

LARM

Via Ca' dell'Orbo, 36 -
40055 Villanova di Castenaso (Bologna) - Italy
☎ ++51/6053460 - Fax ++51/6053411

NAMIBIA

BIKE CENTER

P.O. Box 23802
WINDHOEK
☎ +264 61 249400 - Fax +264 61 249403

NEW ZEALAND

ROSLYN DISTRIBUTORS LIMITED

15 Amber Cres
P.O. Box 632
TAURANGA
☎ +64 7 5718004 - Fax +64 7 5710336

NORWAY

ØGLÆND DBS A/S

P.O. Box 385
N - 4301 SANDNES
☎ +47 51604500 - Fax +47 51675780

POLAND

BIKE PROGRAM S.C.

Ul. Dabrowskiego 1B/3
66-300 MIEDZYRZECZ
☎ /Fax +48 61 473265

PORTUGAL

BIKE CENTER AMADORA

Av. Combatentes da Grande Guerra, 12C
P - 2700 AMADORA
☎ +351 1 4913667 - Fax +351 1 4913688

SOUTH AFRICA

CAPE CYCLE SYSTEMS

P.O. Box 14684
Kenwyn 7790 - CAPE TOWN
☎ +27 21 7613528 - Fax +27 21 7615914

SPAIN

COMET DISTRIBUCIONES COMERCIALES S.A.

Poligono Erratzu s/n, Alto de Irurain
E - 20130 URNIETA (Gipuzkoa)
☎ +34 43 330195 - Fax +34 43 552556

SWEDEN

DIAMOND BACK SVENSKA

Importgatan 17
S - 422 46 HISINGS BACKA
☎ +46 31 52200 - Fax +46 31 522010

SWITZERLAND

INTERCYCLE

Haldenmattstr. 3
CH - 6210 SURSEE
☎ +41 45 236511 - Fax +41 45 236352

THE NETHERLANDS

AUGUSTA BENELUX BV

Rooseveltstraat 46
NL - 2321 BM LEIDEN
☎ +31 71 322306 - Fax +31 71 323201

USA

MSC CORPORATION USA

28231 Avenue Crocker - Unit 100
VALENCIA CA, 91355
☎ +1 (805) 257-6630 - Fax +1 (805) 257-6636

VENEZUELA

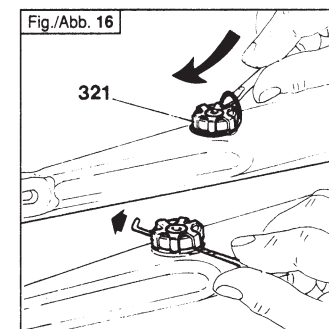
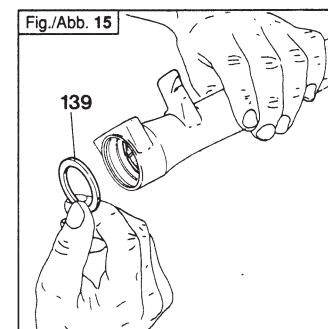
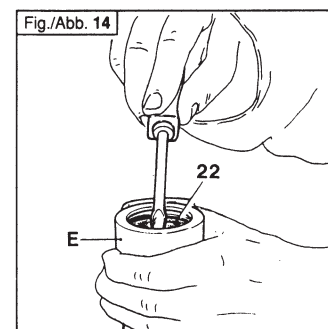
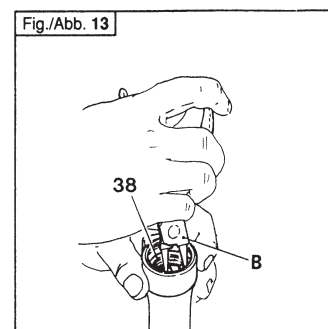
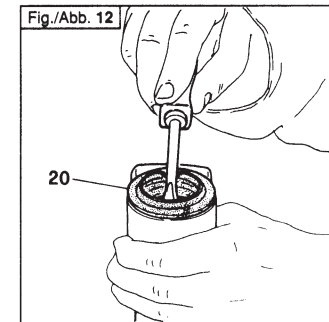
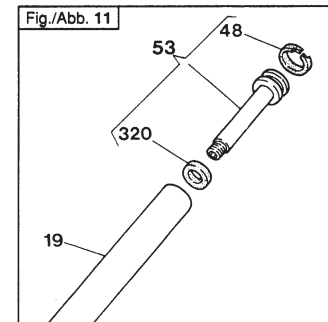
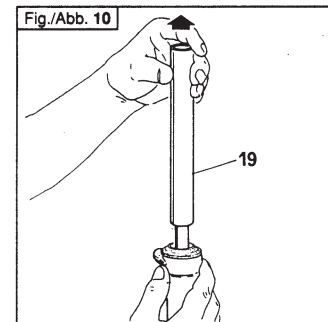
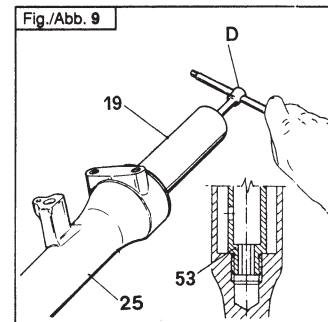
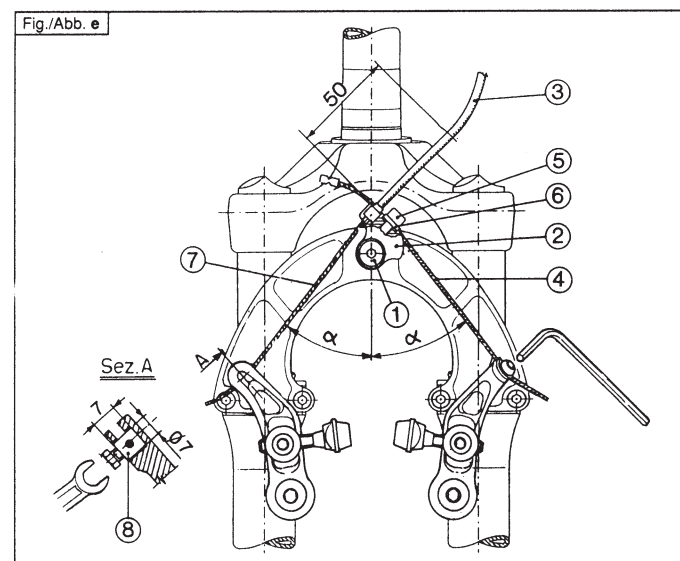
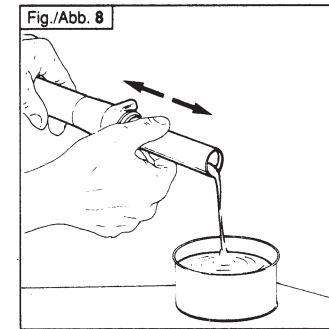
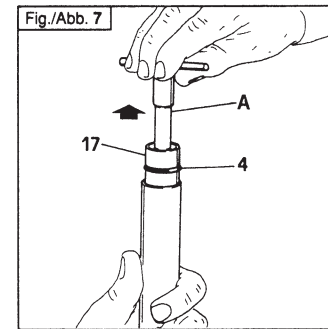
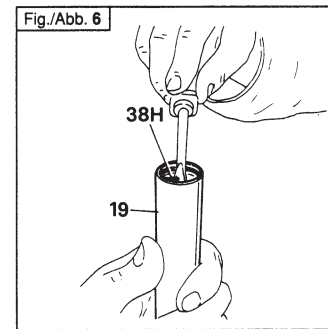
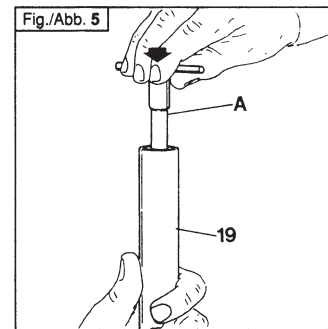
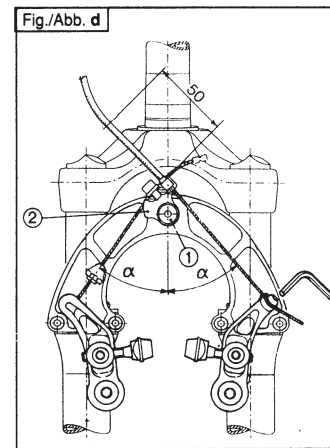
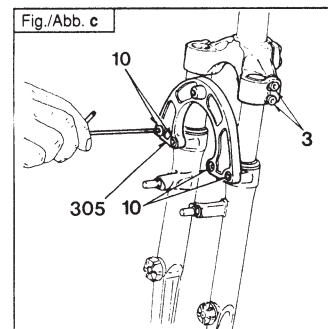
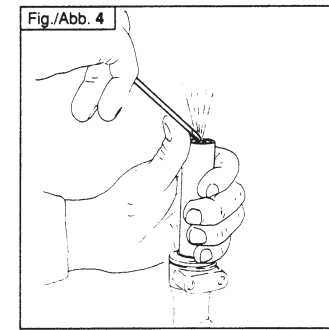
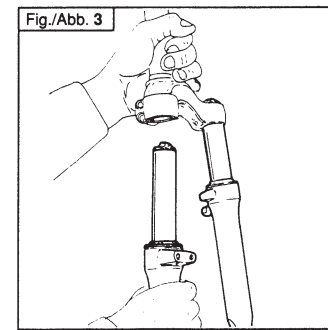
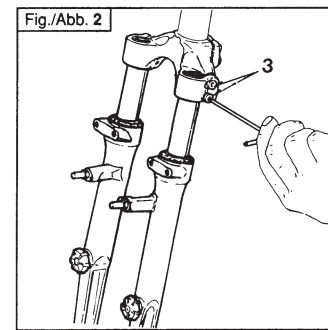
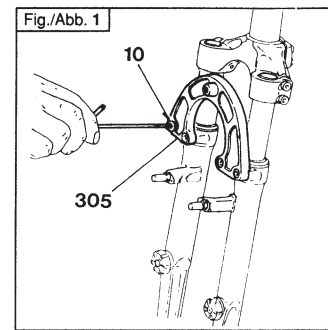
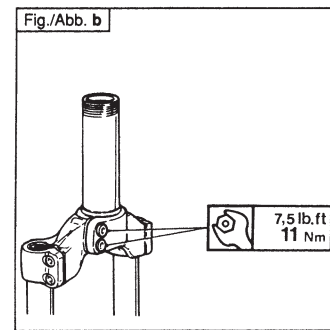
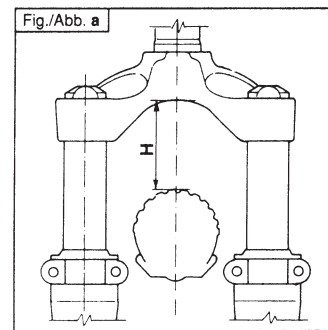
LATIN BIKE CA

2da Av. Los Palos Grandes
CARACAS
☎ +58 2 2859057 - Fax +58 2 2837466



INSTALLATION - INSTALLAZIONE - INSTALLATION - EINBAU

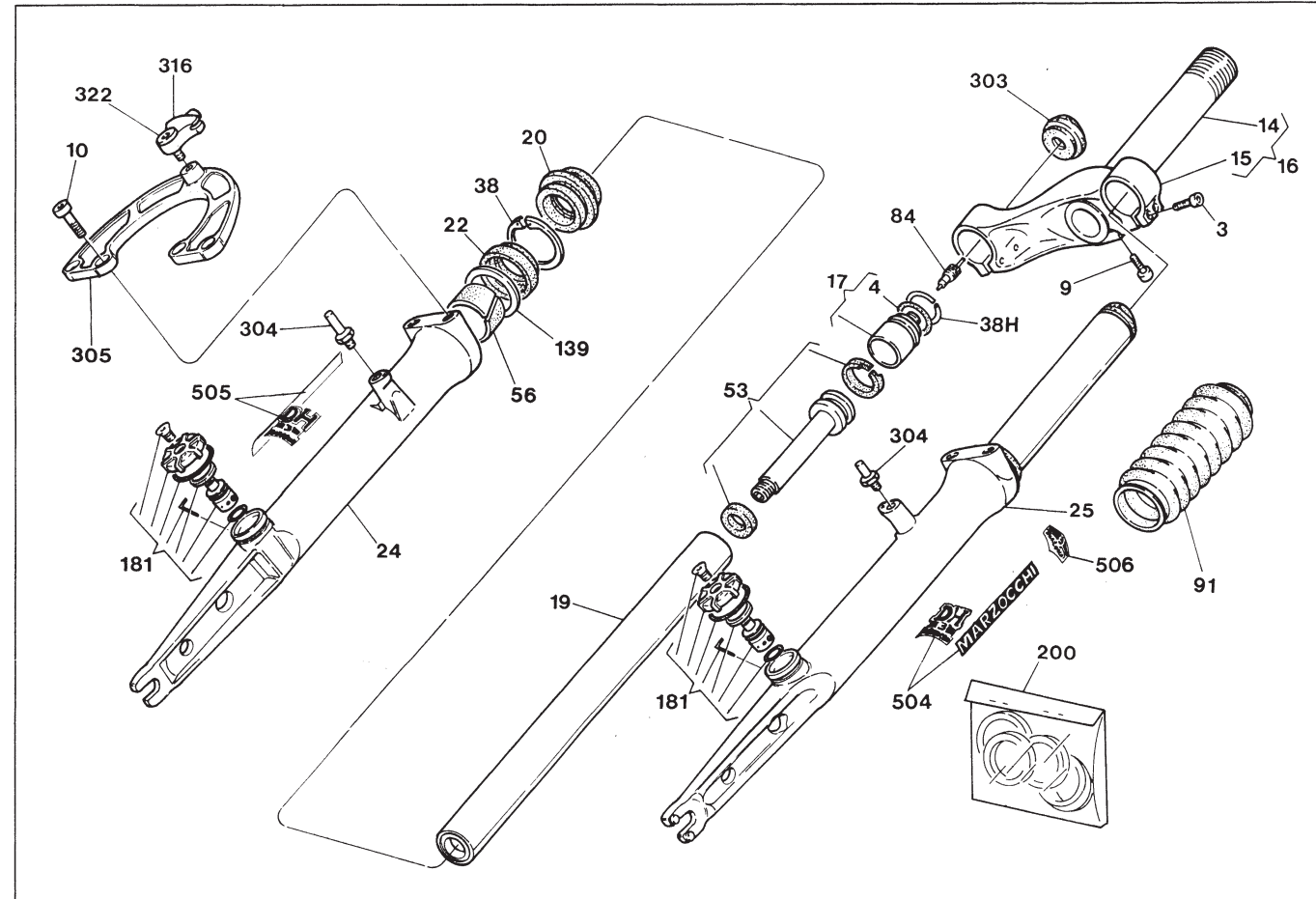
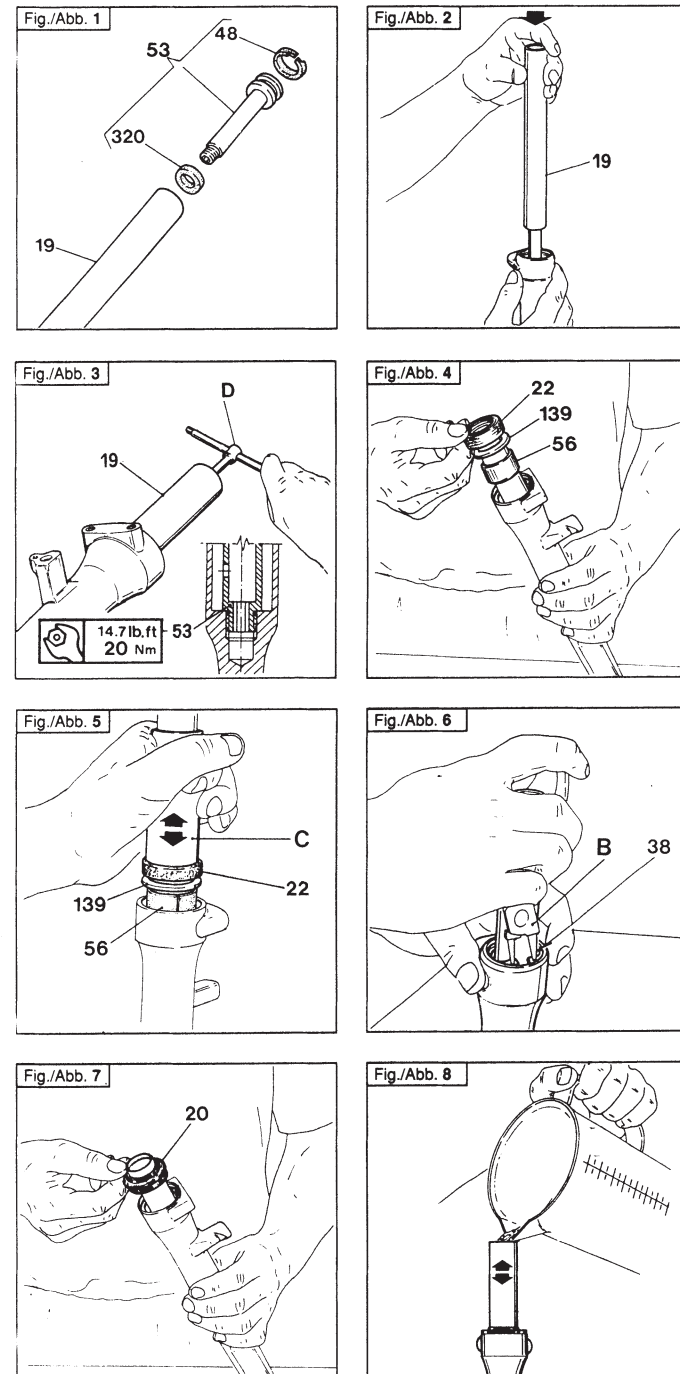
DISASSEMBLY - SCOMPOSIZIONE - DÉCOMPOSITION - AUSBAU





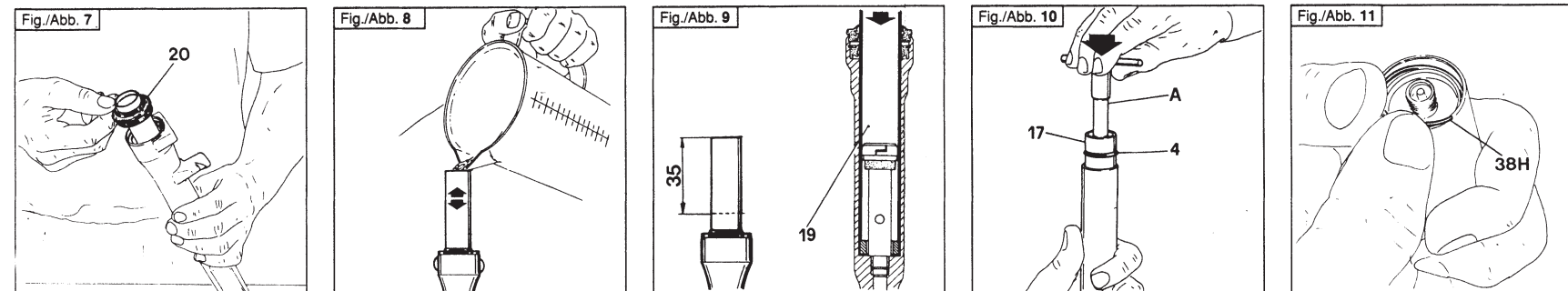
REASSEMBLY - RICOMPOSIZIONE - RECOMPOSITION -
WIEDERZUSAMMENBAU

COMPONENTS AND SPARE PARTS - COMPONENTI E RICAMBI - COMPOSANTS ET PIÈCES DÉTACHÉES - BESTAND- UND ERSATZTEILE



Our Parts Department supplies a kit of seals for a complete overhauling of the fork (MARZOCCHI Item 850565 - LARM Item 16.5133).
Il Ns Servizio Ricambi fornisce la serie guarnizioni per la revisione completa della forcella (Art. MARZOCCHI 850565 - Art. LARM 16.5133).

Notre Service "Pièces Détachées" fournit le kit de joints pour la révision complète de la fourche (Art. MARZOCCHI 850565 - Art. LARM 16.5133).
Unser Ersatzteilservice liefert ein Dichtungssset für die komplette Überholung der Gabel (Art. MARZOCCHI 850565 - Art. LARM 16.5133).





(US) (UK)
**INSTRUCTION
LEAFLET ENCLOSED**

(I)
**CONTIENE FOGLIO
ILLUSTRATIVO**

(F)
**PROSPECTUS
EXPLICATIF A
L'INTERIEUR**

(D)
**ANWEISUNGSBLATT
BEIGELEGT**





US UK

The figures and descriptions in this pamphlet are provided as a guide.
We reserve the right to make changes to the products without notice in line with our policy of continuous improvement.

I

Le illustrazioni e descrizioni del presente opuscolo si intendono fornite a titolo indicativo. La Casa si riserva pertanto il diritto di apportare ai prodotti in qualsiasi momento e senza avviso quelle modifiche che ritenesse utili per migliorarli o per qualsiasi esigenza di carattere costruttivo e commerciale.



F

Les illustrations et descriptions de cette brochure sont fournies à titre indicatif. La maison se réserve le droit d'apporter aux produits, à n'importe quel moment et sans préavis, toutes les modifications utiles à leur amélioration, ou pour n'importe quelle nécessité de caractère constructif et commercial.



D

Die Abbildungen und Beschreibungen dieser Broschüre sind als rein indikativ zu betrachten. Der Hersteller behält sich das Recht vor, an seinen Erzeugnissen jederzeit die Änderungen ohne Vorankündigung vorzunehmen, die er zu ihrer Verbesserung oder aus herstellungs-technischen oder kaufmännischen Gründen für erforderlich hält.





900414



MARZOCCHI S.p.A. - Via Grazia, 2
40069 Lavino di Zola Predosa (Bologna) Italy
Telefono 051 - 61 68 711
Telefax 051 - 75 88 57

