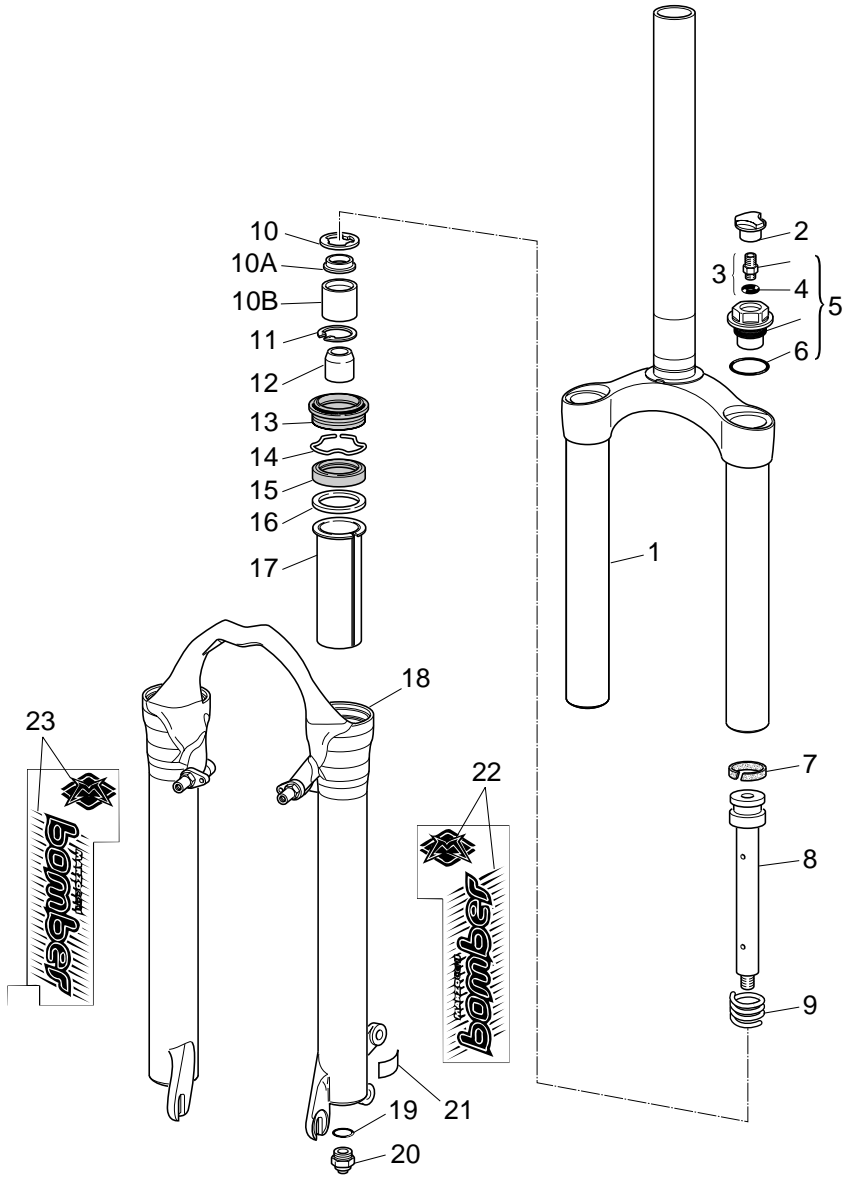
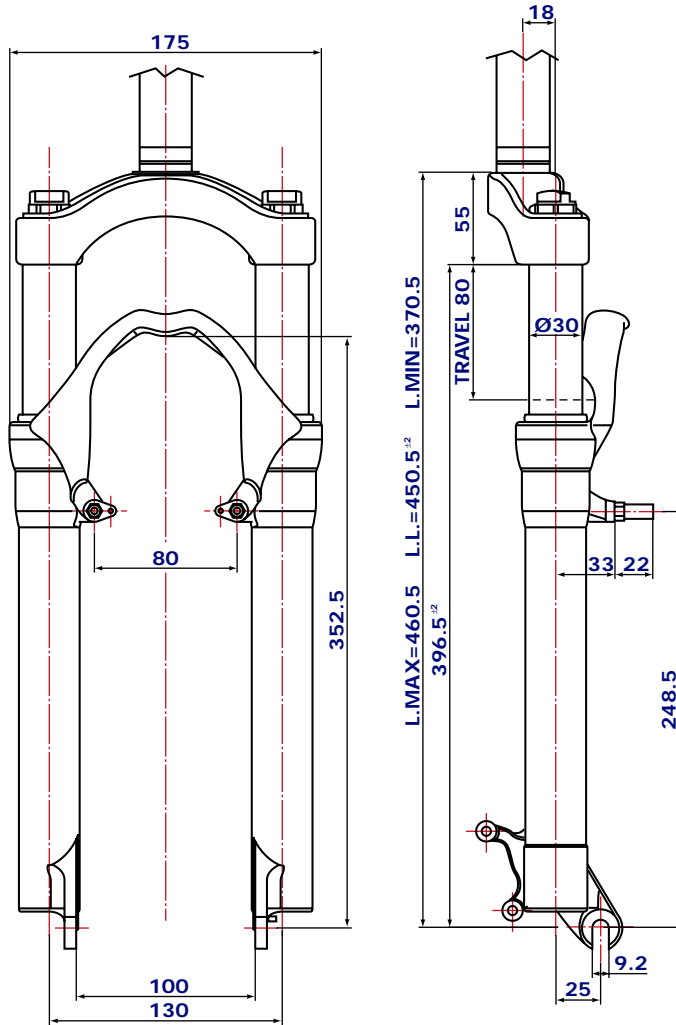


Z4  
F  
A  
L  
Y  
R  
L  
I  
G  
H  
T



# Z4 FLY LIGHT



## GENERAL

- Special air/oil damped cross-country fork.
- Each leg uses pressurized air blown through a special valve on stanchion caps as damping medium.
- Rebound damping is controlled by pumping rods fixed to the bottom of each slider.
- Stanchions fitted into steering crown by cryofit technique. Full length bushings guarantee superior rigidity.
- Sliders and arch are an integral assembly for reduced weight and improved rigidity.
- Parts subjected to friction are splash-lubricated by a specially formulated oil collected on the bottom of each leg.

**Steer tube:** in CrMo steel with variable butting. Several lengths available in threaded or non threaded 1 1/8" diameters.

**Crown:** Forged and CNC-machined BAM\* aluminum alloy.

**Arch:** Cast magnesium alloy.

**Stanchions:** anodized EASTON aluminum with variable butting.

**Sliders:** Cast and CNC-machined aluminum alloy. Left slider equipped with disc brake adapter.

**Air valve:** "Schraeder" type with cap. Use Marzocchi pump to blow required air.

**Pilot bushing:** Full length bushings composed of a copper base and impregnated with an anti-friction coating.

**Seals:** Computer designed oil seals guarantee the highest quality seals available.

**Oil:** Specially formulated oil which eliminates foaming and viscosity break down while providing complete stiction-free performance.

**Fork leg oil:** type EBH 16 - SAE 7.5 - 85 c.c each leg.

\* **BAM: Bomber Aerospace Material.**

Special alloy developed from aerospace material.

## INSTRUCTIONS

### **GENERAL RULES FOR CORRECT OVERHAULING AND MAINTENANCE**

1. *Where specified, assemble and disassemble the shock absorption system using the MARZOCCHI special tools only.*
2. *On reassembling the suspension system, always use new seals.*
3. *Clean all metal parts with a special, preferably biodegradable solvent, such as trichloroethane or trichloroethylene.*
4. *Before reassembling, lubricate all parts in contact with each other using silicone fat spray or special oil for seals.*
5. *Always grease the lip seal rings before reassembling.*
6. *Use wrenches with metric size only. Wrenches with inch size might damage the fastening devices even when their size is similar to that of the wrenches in metric size.*

## FAILURES, CAUSES AND REMEDIES

*This paragraph reports some failures that may occur when using the fork. It also indicates possible causes and suggests a remedy. Always refer to this table before doing any repair work.*

FAILURES	CAUSES	REMEDIES
Oil leaking through the top of the slider	<ol style="list-style-type: none"> <li>1. Oil seal is worn out</li> <li>2. Stanchion tube is scored</li> <li>3. Excessive dirt on slider oil seal</li> </ol>	<ol style="list-style-type: none"> <li>1. Replace oil seal</li> <li>2. Replace oil seals and crown and stanchions assembly</li> <li>3. Clean the oil seal seat and replace oil seal</li> </ol>
Oil leaking through the bottom of slider	O-ring for cartridge / slider seal damaged	Replace the O-ring
Fork has not been used for some time and is locked out	Oil seals and dust seals tend to stick to stanchion tubes	Raise dust seal and lubricate stanchion tube, dust seal and oil seal
Pressure drop	<ol style="list-style-type: none"> <li>1. Inflating valve loose or damaged</li> <li>2. Valve seal damaged</li> </ol>	<ol style="list-style-type: none"> <li>1. Tighten spreading some medium-strong glue or change the valve</li> <li>2. Change the seal</li> </ol>
The fork reaches its end of stroke easily	Valve at the bottom of the stanchion damaged	Change
Excessive play of stanchions in the sliders	Pilot bushings worn out	Replace bushings
Fork rebounds too fast in any adjuster position	Dirt inside fork legs	Clean carefully and change oil
Fork is noisy during use	Pilot bushings poorly lubricated	Pour lubrication oil at the bottom of the stanchions after cleaning
Compression damping too soft, though pressure in the legs is OK	Air is leaking from the bottom into the top section of stanchion	Loosen fork leg cap just enough to let air out of the upper section of stanchion. Tighten cap and check pressure.

# Z4 FA LTY R L I G H T


## RECOMMENDATIONS FOR MAINTENANCE

MARZOCCHI forks are based on advanced technology, supported by year-long experience in the field of professional mountain biking. In order to achieve best results, we recommend to check and clean the area below the dust seal and the stanchion tube after each use and lubricate with silicone oil.


**Polished** forks should be treated with bodywork polish at regular intervals to preserve their original finish.


## INSTALLATION

Installing the Z4 fork on a bicycle is a very delicate operation that should be carried out with extreme care. The installation should always be checked by one of our Technical Service Centers.

 **WARNING:** Steer tube/headset mounting and adjustment must be carried out in compliance with the headset manufacturer's instructions either when a threaded steer tube or an "A-Head Set" steer tube is installed. Improper installation may jeopardize the safety of the rider.

The Z4 fork is supplied with a proper steer tube to comply with type (A-Head Set or threaded), length and diameter of the frame on which it should be fitted. The steer tube is pressed into the crown. To replace it, contact one of our Technical Service Centers with the required tools.

 **WARNING:** In case of improper installation of the steer tube into the crown, the rider might lose control of his/her bicycle, thus jeopardizing his/her safety.

 **WARNING:** Brake supports feature fixing pins or - as an option - bolts. Never remove these pins (or bolts), as they help keep brake arch-sliders-assembly locked securely together.

## DISC BRAKE SYSTEM ASSEMBLY

Assembling the brake caliper onto the slider is a very delicate operation that should be carried out with extreme care. Improper assembly might overstress the caliper supports which might break. When installing the disc brake system, be sure to properly follow the instructions given by the manufacturer.

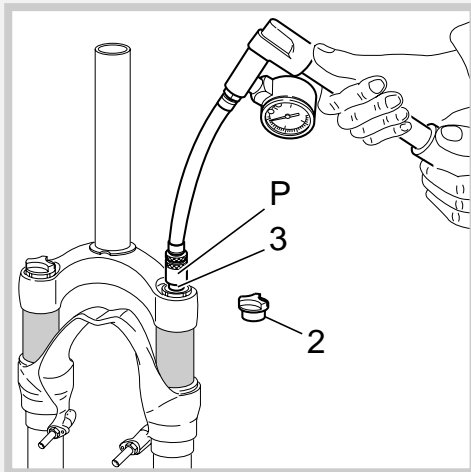
# Z4 FA LTY LIGH T

## ADJUSTMENTS

### FORK LEG PRESSURIZATION

#### (FIG. A)

Blow pressurized air through the valves (3) on the stanchion caps to set COMPRESSION damping. Z4 is set at the factory to a standard value of 2.5 bar. To change the pressure value, remove the protection cap (2) and depressurize each leg. Fully tighten the pump connection (P) on valve (3) or pressurize until the required value is reached. Unscrew the connection and refit the cap (2). This adjustment is essential in order to have the right Z4 response for the rider's weight and riding style.

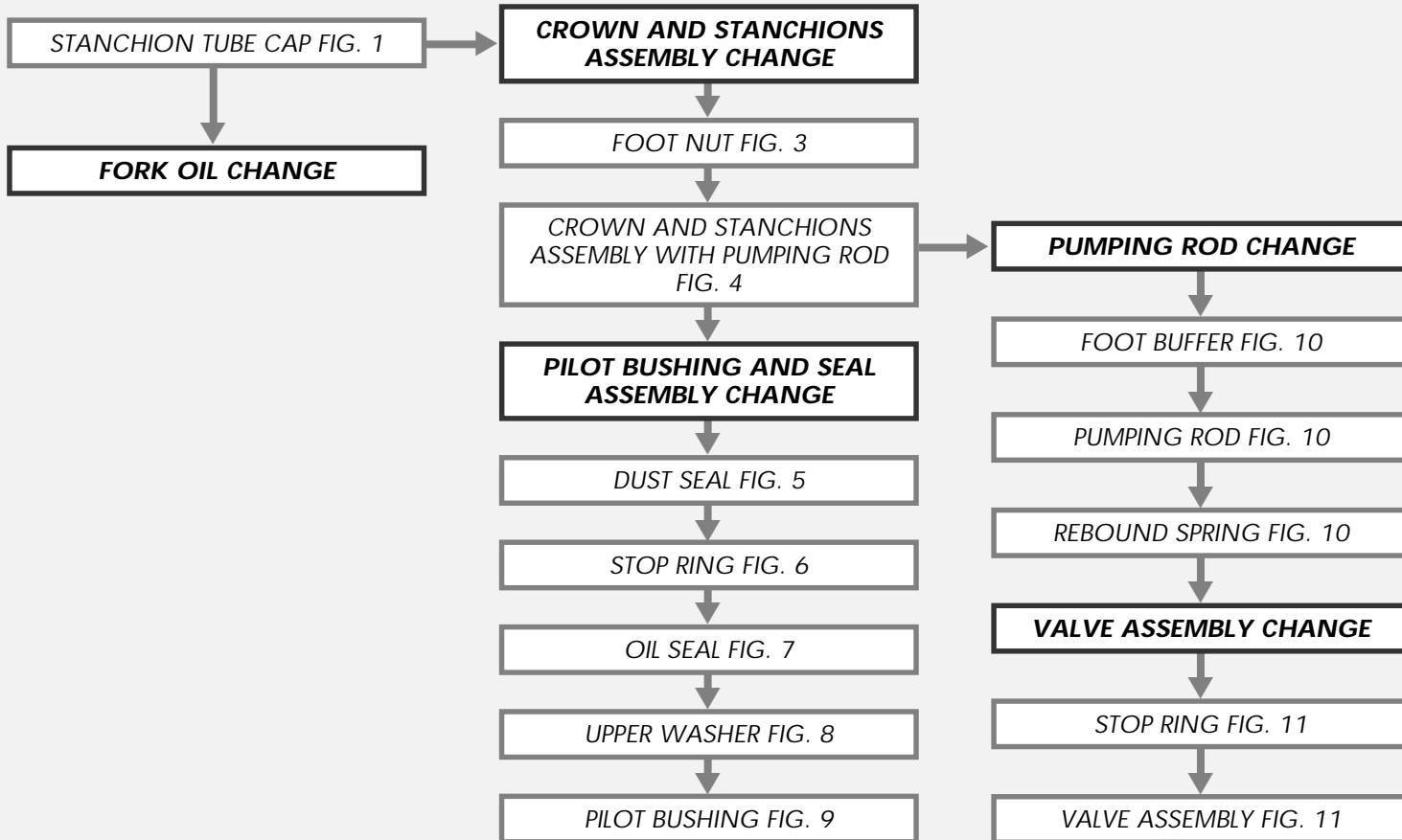


## DISASSEMBLY

### GENERAL

- The reference numbers given in this section relate to the components shown in the fork exploded view.
- Before starting any operation, please read the diagram below. It shows the quickest procedure and the exact disassembling sequence. Locate the part you need to remove in the diagram, then look at the arrows to determine which other parts you will need to remove first.

### DISASSEMBLY DIAGRAM

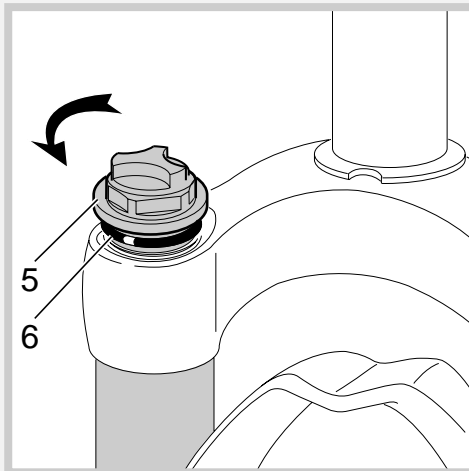


Z4

F A  
L I  
Y R  
L I  
G H  
T

**FIG. 1**

Depressurize each fork leg (see Fig. A).  
Unscrew the caps (5) with a 21 mm socket wrench.  
Remove the caps complete with O-ring (6) from the stanchion tubes.



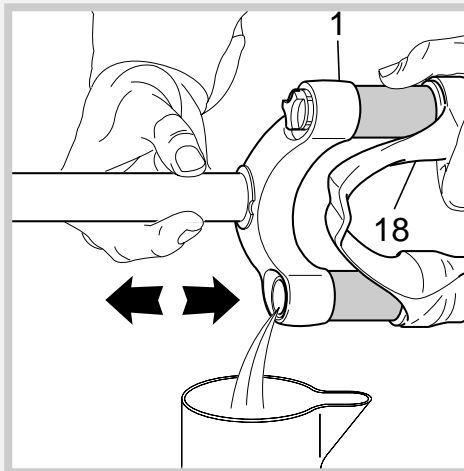
**FIG. 2**

Push the stanchions (1) into the sliders (18) and let all the oil drain out from the fork legs.  
Pump the stanchions several times to help oil drain off.



**WARNING:** Remember to always recycle any used oil.

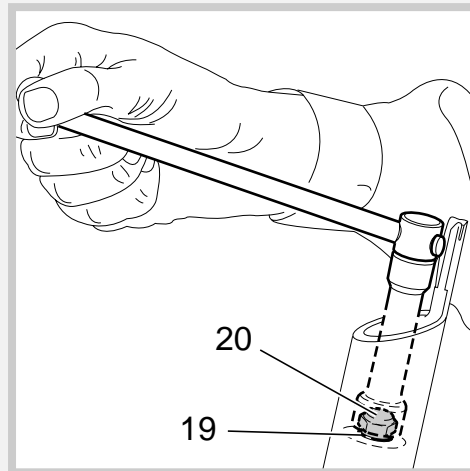
To change the fork leg oil follow the procedure as described in section "Reassembly" from Fig. 23 to Fig. 25.



**REMOVING THE CROWN AND STANCHIONS ASSEMBLY**

**FIG. 3**

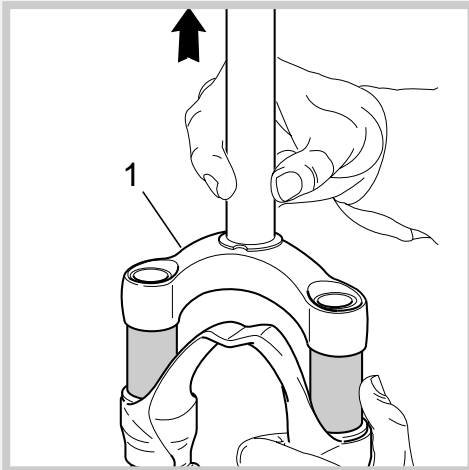
Turn the fork leg upside-down and unscrew the foot nut (20) complete with O-ring (19) by the use of a 15 mm socket wrench.





**FIG. 4**

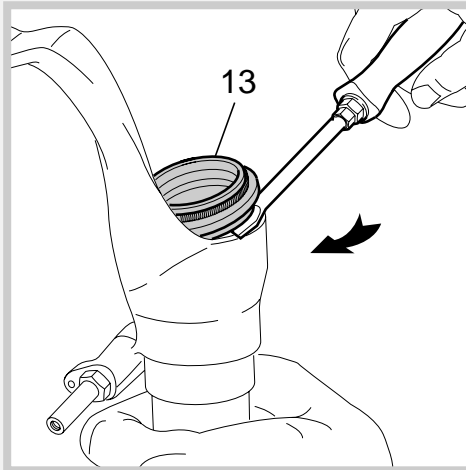
Withdraw the crown and stanchions assembly (1) from the sliders.



**PILOT BUSHING AND SEAL  
ASSEMBLY CHANGE**

**FIG. 5**

Remove the dust seal (13) from the top of the slider using a small screwdriver.

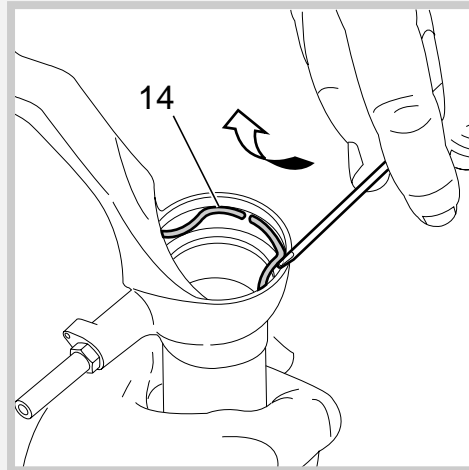


**FIG. 6**

Remove the stop ring (14) from the slider by placing the screwdriver bit in one of the three openings on the stop ring.



**IMPORTANT:** when removing the stop ring, make sure not to damage its seat.

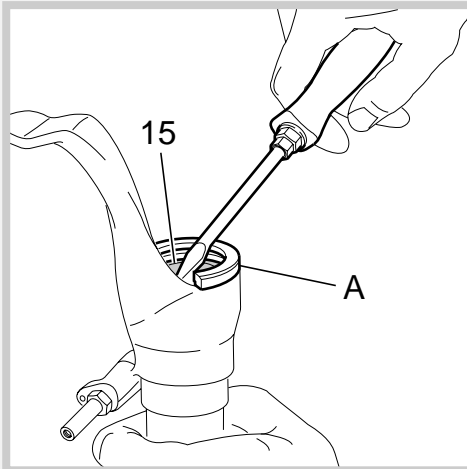


**FIG. 7**

Fit the slider protector (A) onto the slider and remove the oil seal (15) with the help of a large slot screwdriver.

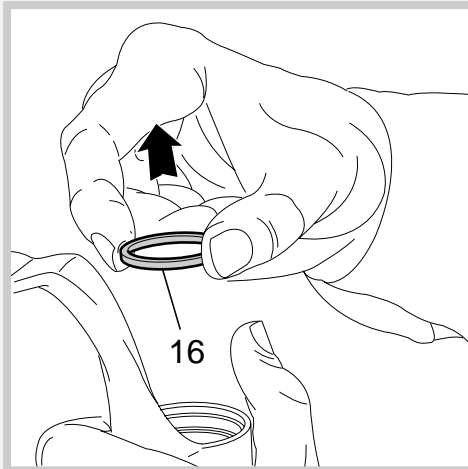


**IMPORTANT:** when removing the oil seal, make sure not to damage its seat. Once removed the oil seals should not be used again.



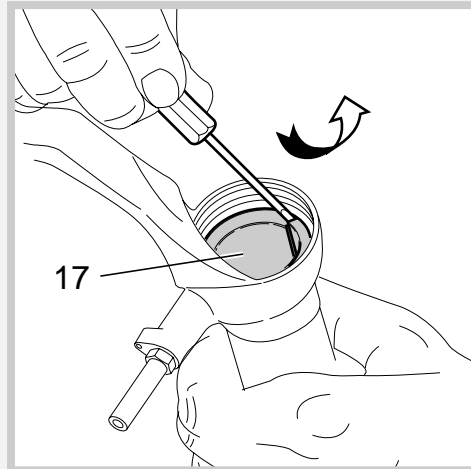
**FIG. 8**

Remove the upper washer (16) from the slider.



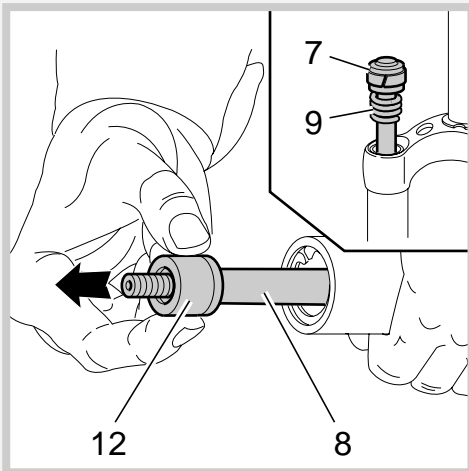
**FIG. 9**

Fit the bit of a small screwdriver into the upper edge slot of the pilot bushing (17) and lift gently. Pull the bushing out of the slider and make all necessary changes.



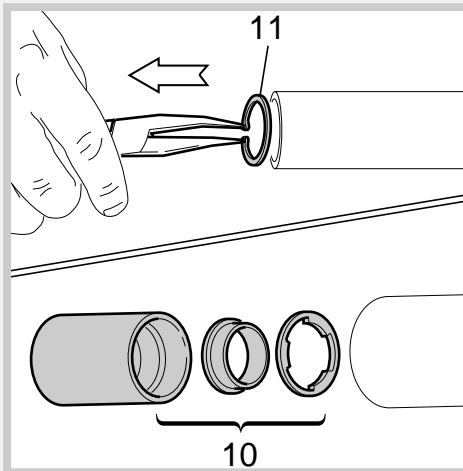
**PUMPING ROD CHANGE  
FIG. 10**

Remove the foot buffer (12) from the pumping rod (8) end.  
Withdraw the pumping rod (8) and the rebound spring (9) from the stanchion tube opposite side. Replace the seal ring (7) if damaged or worn out.



**VALVE ASSEMBLY CHANGE  
FIG. 11**

To check that the valve unit is operating correctly, it is necessary to work on the inside of the stanchion tube.  
Slip off the stop ring (11) using pointed pliers.  
Pull the valve assembly (10) out of the stanchion tube with one finger in the same sequence as in the figure.

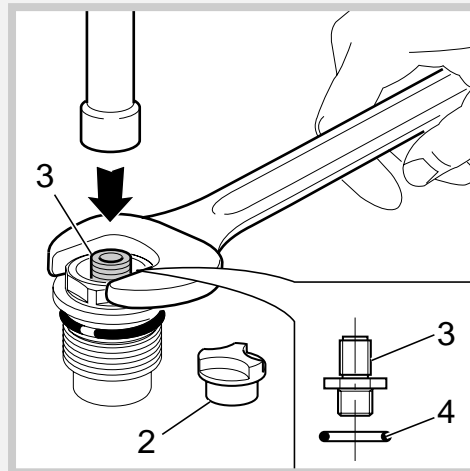


**AIR VALVE DISASSEMBLY  
FIG. 12**

In case of pressure drops, remove the protection cap (2), the air valve (3) and its O-ring (4) using an 8 mm box wrench.

**! IMPORTANT:** if the air valve is disassembled with the fork legs still assembled, keep the legs vertical so as to avoid any oil leakage.

When reassembling, slightly lubricate the O-ring (4) and screw the air valve (3) until it stops without forcing.



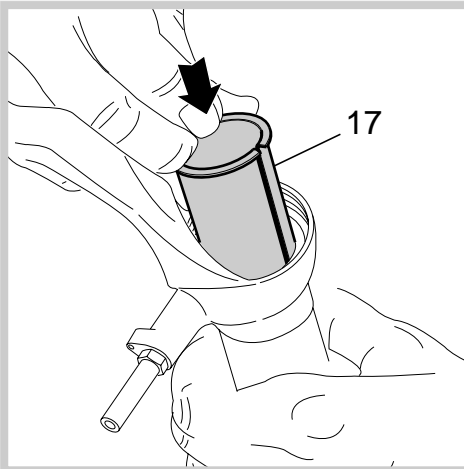
## REASSEMBLY

**⚠ CAUTION:** before reassembling, all metal parts should be washed carefully with inflammable, preferably biodegradable, solvent and dried with compressed air.

### PILOT BUSHING AND SEAL ASSEMBLY

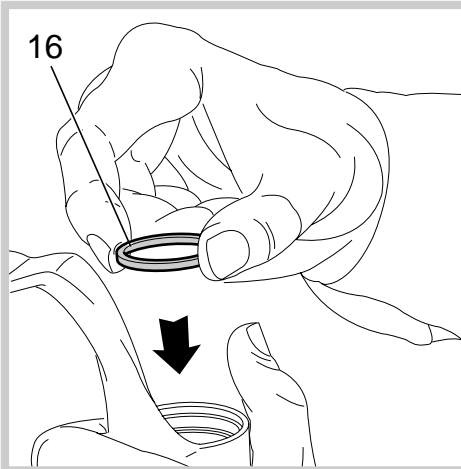
**FIG. 13**

Check that no dirt or debris is between slider and bushing. Insert the pilot bushing (17) into place so that it adheres to the slider.



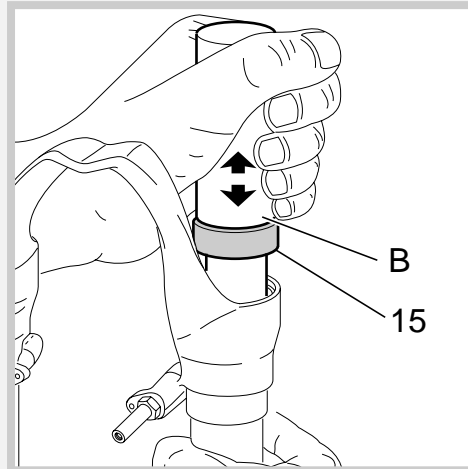
**FIG. 14**

Fit the upper washer (16) into the slider so that it touches the pilot bushing.



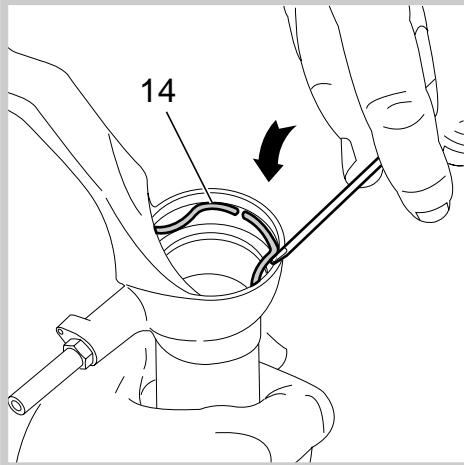
**FIG. 15**

Lubricate the oil seal (15) and fit it onto the seal press (B) with the hollow side toward the slider.  
Press the oil seal until it touches the upper washer by using the above seal press.



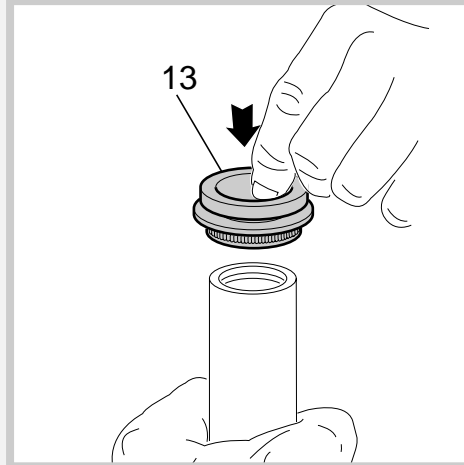
**FIG. 16**

Insert the stop ring (14) into the slider making sure it is properly seated into place.



**FIG. 17**

Lubricate the dust seals (13) and fit them onto the top of the stanchions, on the spring end.

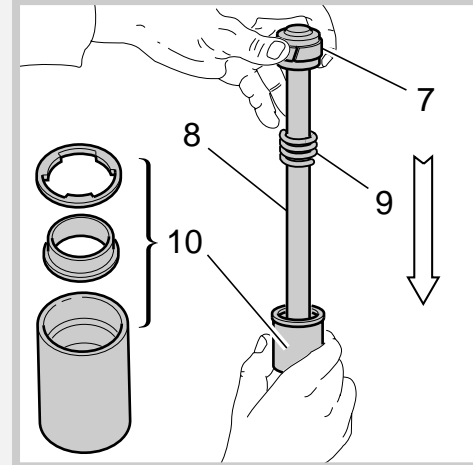


**VALVE AND PUMPING ROD ASSEMBLY**

**FIG. 18**

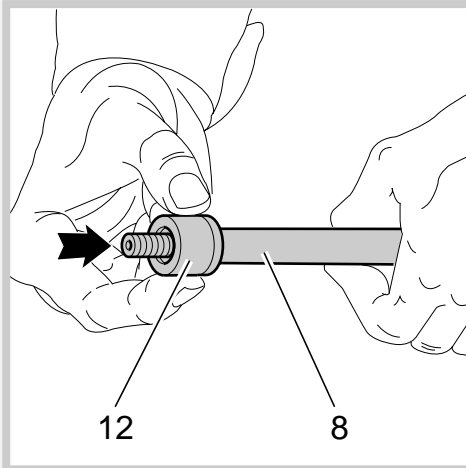
After having overhauled or replaced the valve assembly and after having cleaned the inside of the stanchion tube, reassemble. Assemble valve components (10), in correct sequence.

Then fit pumping rod (8), seal ring (7) and rebound spring (9) into the valve assembly (10).



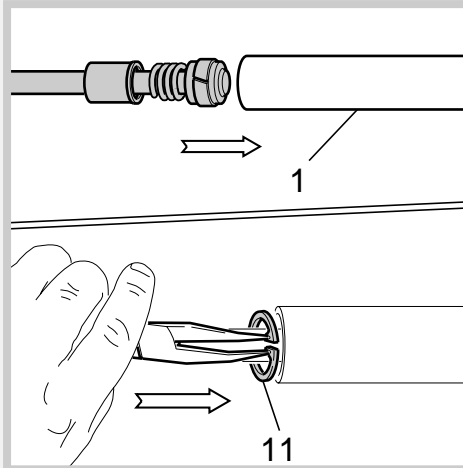
**FIG. 19**

Reassemble the foot buffer (12) onto the pumping rod (8) end.



**FIG. 20**

Fit this assembly into the stanchion tube (1) and properly seat the valve assembly (10).  
Insert the stop ring (11).



**CROWN AND STANCHIONS ASSEMBLY**

**FIG. 21**

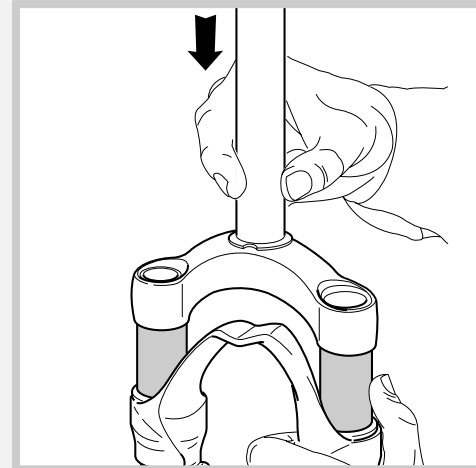
Fit the crown and stanchions assembly with the dust seals (13) in place gently into the slider seals.

**⚠ WARNING:** Be sure to fit the stanchions squarely into the sliders or the sealing surfaces will damage.

Check to see that the stanchion tubes slide unrestricted by cycling the fork up and down several times.

The tube should slide freely inside the seal assembly without any side play. In the event it is too hard or too soft, repeat the previous steps described above and check components to ensure they are not damaged.

Place the dust seals (13) on top of the sliders.



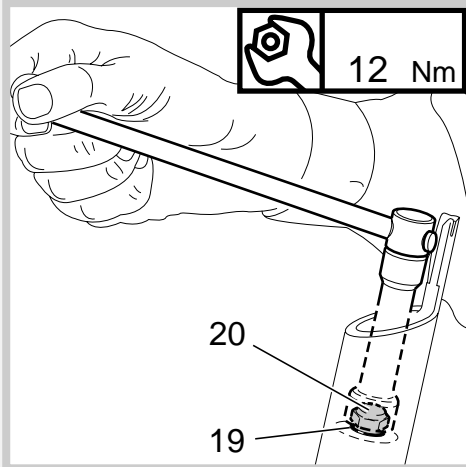
**FIG. 22**

Push the stanchions fully down into the sliders.

Grease the O-ring (19) on the foot nut (20) and screw the nut on the pumping rod thread.

Tighten to 12 Nm.

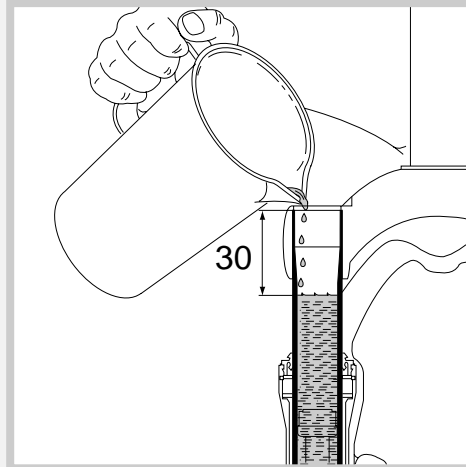
Check to verify that the stanchion tubes slide properly through the stroke by pumping them up and down several times.



**HOW TO FILL WITH OIL**

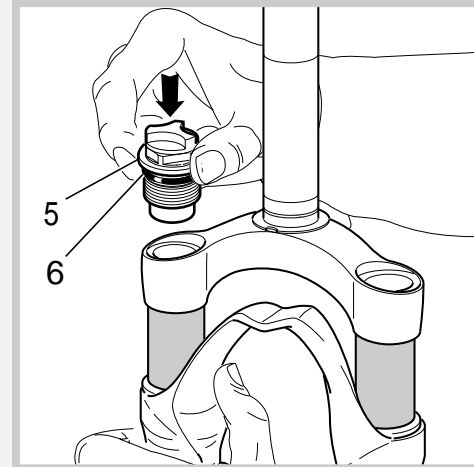
**FIG. 23**

Pour the oil little by little into the stanchion and pump the crown to facilitate filling. Check that the oil level is 30 mm/1.18 in. from the top of the stanchion tube, in both legs.



**FIG. 24**

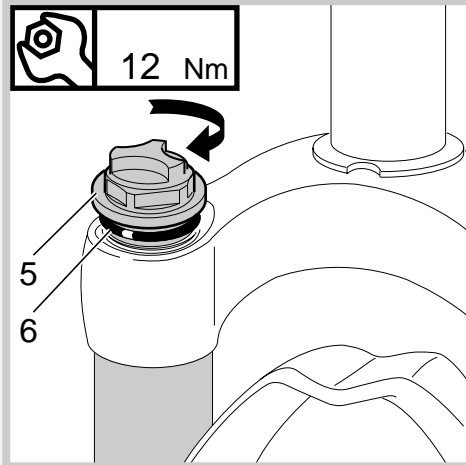
Lubricate the O-ring (6) on the cap (5). Lift the crown (1) and fit start caps (5) onto stanchion threads by hand.



Z4  
F A  
L I  
Y R  
L I  
G H  
T

**FIG. 25**

Tighten the caps to 12 Nm.  
Pressurize as shown in Fig. A.





### SPECIFIC MARZOCCHI TOOLS

Ref.	Item.	Description and use
A	536003 AB	Slider protector: to remove the oil seal from the slider
B	R 5068	Oil seal press: to press oil seal into the slider
C	R 4002	Inflating pump

