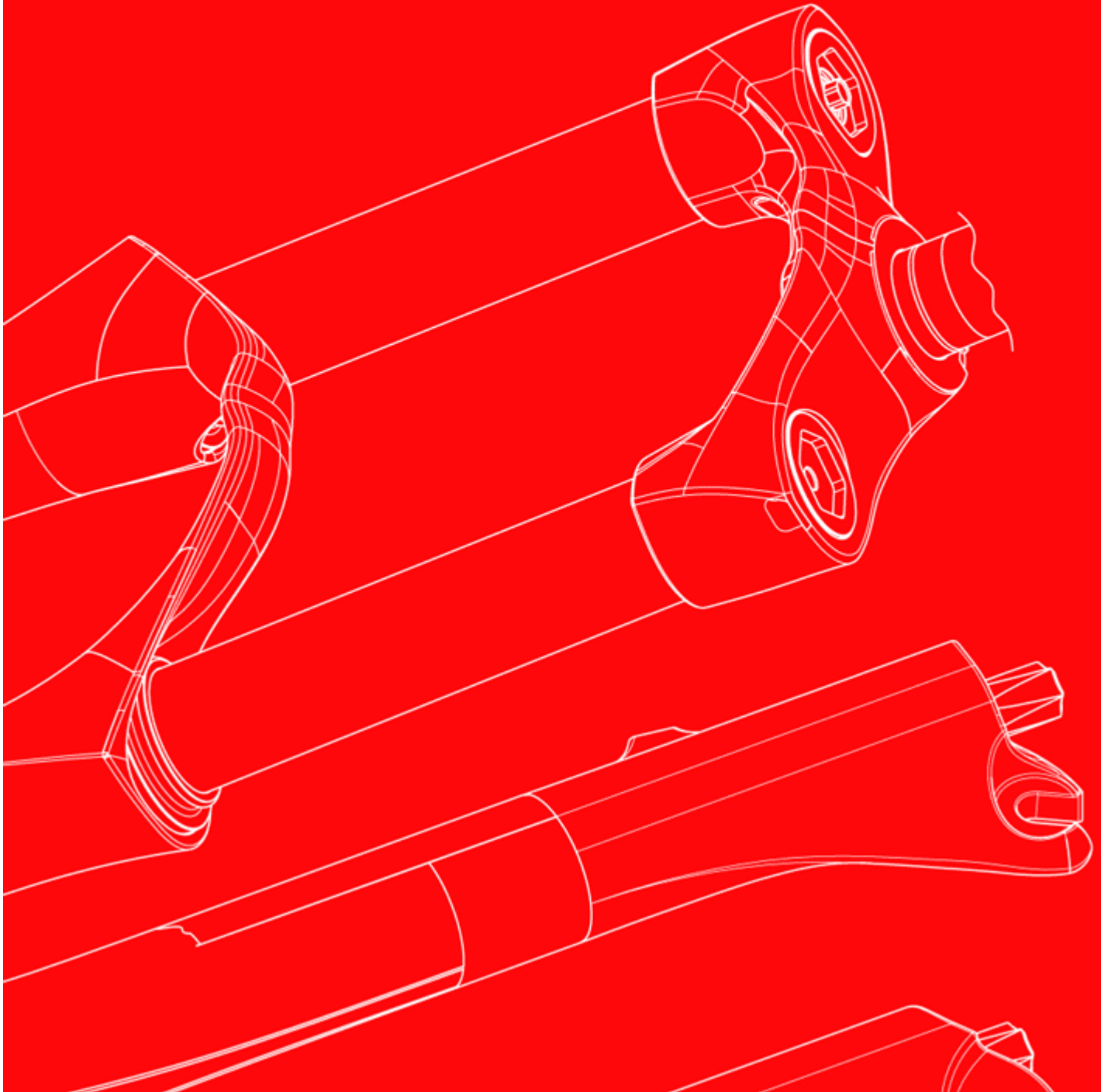


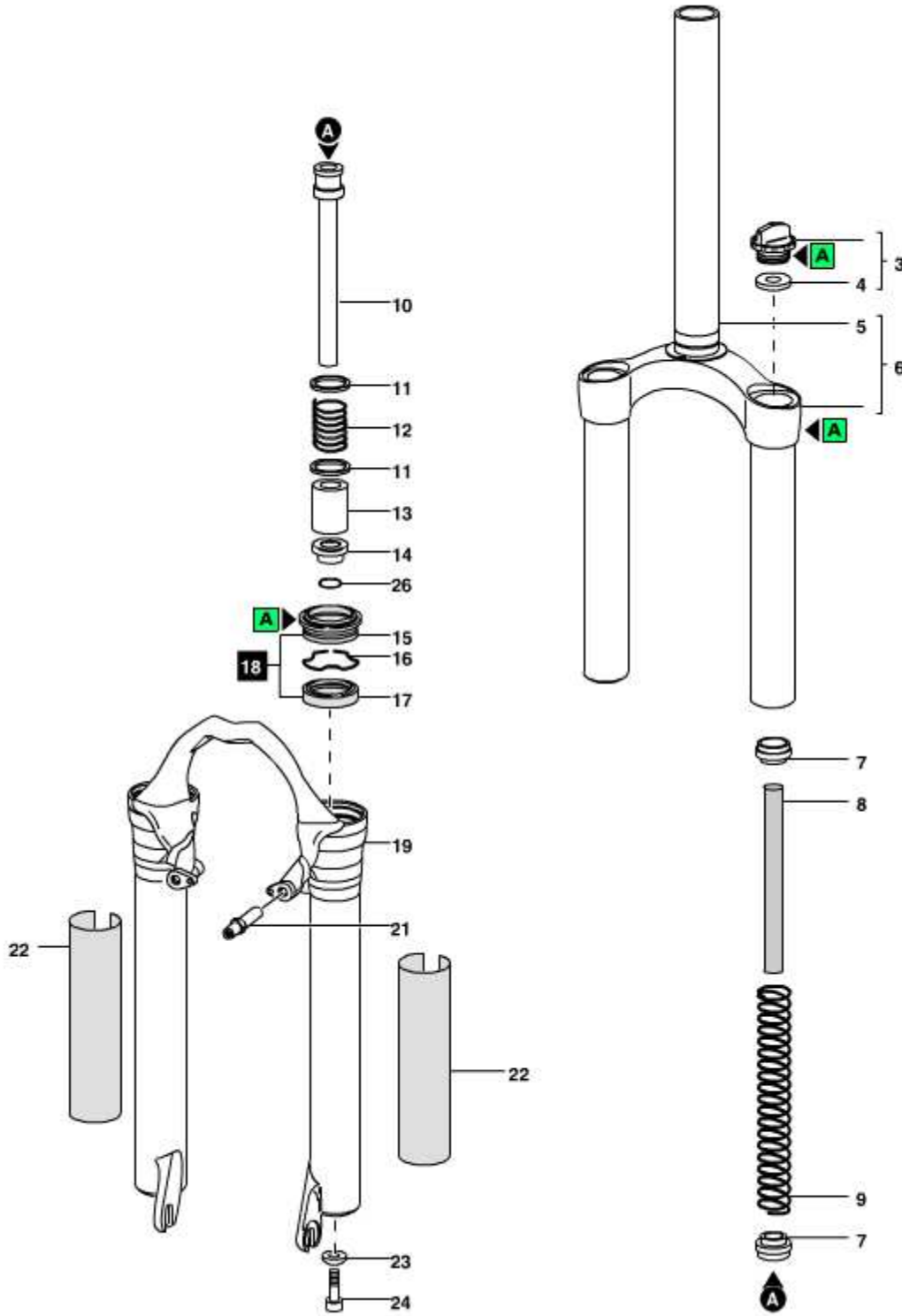
marzocchi
WWW.MARZOCCHI.COM



2005 - MZ Comp

Technical instructions

Exploded view - MZ Comp 80



Rif. Code	Quantity	
3	EXR FKE020	2
6	EXR FLC089-1	1
6	EXR FLC089	1
7	EXR FEE123	4
8	EXR FEP044-12	2
9	5141345/C	1
9	5141343/C	1
9	5141346/C	1
9	5141344/C	1
10	EXR FEE205	2
11	EXR FEE206	4
12	EXR FEP058	2
13	EXR FEE208	2
13	EXR FEE207	2
14	EXR FEE281	2
15	533301	2
16	523261	2
17	528172NOK>B	2
18	850690	1
19	EXR FPB083/1	1
21	EXR FSB240-20	2
22	MZ COMP DEC05	1
23	EXR FSW023	2
24	EXR FSB069	2
26	EXR FAA146	2

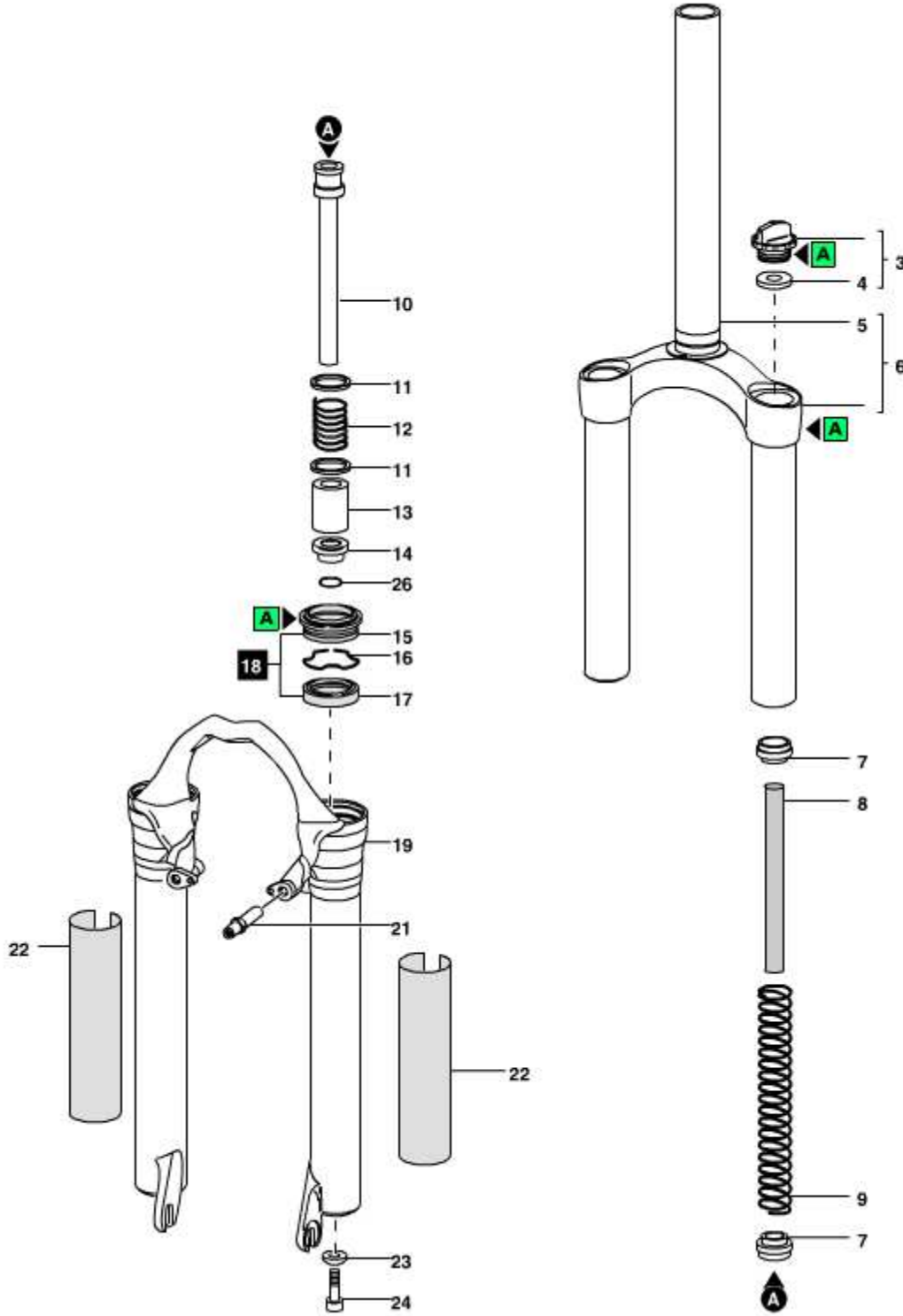
MZ Comp 80 - Oil levels

Position	Oil type	Quantity (cc)
Right fork leg	EXR 9170-001	7,5
Left fork leg	EXR 9170-001	7,5

Spare part list - MZ Comp 80

Rif.	Code	Description	Q.ty in the model
3	EXR FKE020	PLUG	2
6	EXR FLC089-1	CROWN+STEM+STANCH.TRAVEL 100	1
6	EXR FLC089	CROWN+STEM+STANCH.TRAVEL 80	1
7	EXR FEE123	SPRING GUIDE	4
8	EXR FEP044-12	ELASTOMER	2
9	5141345/C	HARDER SPRING KIT MZ 04 TR.100	1
9	5141343/C	HARDER SPRING KIT MZ 04 TR.80	1
9	5141346/C	SOFTER SPRING KIT MZ 04 TR.100	1
9	5141344/C	SOFTER SPRING KIT MZ 04 TR.80	1
10	EXR FEE205	PUMPING ROD	2
11	EXR FEE206	WASHER	4
12	EXR FEP058	REBOUND SPRING	2
13	EXR FEE208	SLEEVE TRAVEL 100	2
13	EXR FEE207	SLEEVE TRAVEL 80	2
14	EXR FEE281	PLASTIC BUFER	2
15	533301	DUST SEAL DIA.30	2
16	523261	STOP RING	2
17	528172NOK>B	OIL SEAL DIA.30	2
18	850690	OIL SEAL KIT M/ARCH	1
19	EXR FPB083/1	MONOLITE COMP	1
21	EXR FSB240-20	CANTILEVER PIN	2
22	MZ COMP DEC05	LH+RH LABELS -MZ COMP 2005	1
23	EXR FSW023	WASHER	2
24	EXR FSB069	SCREW	2
26	EXR FAA146	O-RING	2

Exploded view - MZ Comp 100



Rif. Code	Quantity	
3	EXR FKE020	2
6	EXR FLC089-1	1
6	EXR FLC089	1
7	EXR FEE123	4
8	EXR FEP044-12	2
9	5141345/C	1
9	5141343/C	1
9	5141346/C	1
9	5141344/C	1
10	EXR FEE205	2
11	EXR FEE206	4
12	EXR FEP058	2
13	EXR FEE208	2
13	EXR FEE207	2
14	EXR FEE281	2
15	533301	2
16	523261	2
17	528172NOK>B	2
18	850690	1
19	EXR FPB083/1	1
21	EXR FSB240-20	2
22	MZ COMP DEC05	1
23	EXR FSW023	2
24	EXR FSB069	2
26	EXR FAA146	2

MZ Comp 100 - Oil levels

Position	Oil type	Quantity (cc)
Right fork leg	EXR 9170-001	7,5
Left fork leg	EXR 9170-001	7,5

Spare part list - MZ Comp 100

Rif.	Code	Description	Q.ty in the model
3	EXR FKE020	PLUG	2
6	EXR FLC089-1	CROWN+STEM+STANCH.TRAVEL 100	1
6	EXR FLC089	CROWN+STEM+STANCH.TRAVEL 80	1
7	EXR FEE123	SPRING GUIDE	4
8	EXR FEP044-12	ELASTOMER	2
9	5141345/C	HARDER SPRING KIT MZ 04 TR.100	1
9	5141343/C	HARDER SPRING KIT MZ 04 TR.80	1
9	5141346/C	SOFTER SPRING KIT MZ 04 TR.100	1
9	5141344/C	SOFTER SPRING KIT MZ 04 TR.80	1
10	EXR FEE205	PUMPING ROD	2
11	EXR FEE206	WASHER	4
12	EXR FEP058	REBOUND SPRING	2
13	EXR FEE208	SLEEVE TRAVEL 100	2
13	EXR FEE207	SLEEVE TRAVEL 80	2
14	EXR FEE281	PLASTIC BUFER	2
15	533301	DUST SEAL DIA.30	2
16	523261	STOP RING	2
17	528172NOK>B	OIL SEAL DIA.30	2
18	850690	OIL SEAL KIT M/ARCH	1
19	EXR FPB083/1	MONOLITE COMP	1
21	EXR FSB240-20	CANTILEVER PIN	2
22	MZ COMP DEC05	LH+RH LABELS -MZ COMP 2005	1
23	EXR FSW023	WASHER	2
24	EXR FSB069	SCREW	2
26	EXR FAA146	O-RING	2

Technical characteristics: Technical characteristics

Single-crown fork with \varnothing 30mm legs.

Available travels: 80 mm, 100 mm.

Right fork leg damping element: spring with preload mechanical adjustment.

Left fork leg damping element: spring with preload mechanical adjustment.

Right fork leg damping system: elastomer.

Left fork leg damping system: elastomer.

The stanchion tubes are pressed into the crown.

Steer tube: steel, 1-1/8", threadless.

Crown: BAM® aluminium alloy forged and CNC machined.

Stanchions: HI-TEN steel.

One-piece assembly: made of magnesium alloy cast and CNC machined for lighter weight and more stiffness.

Springs: constant pitch.

Seals: computer designed oil seals that guarantee maximum seal in any condition.

Dropout type: standard.

Disk brake mount: XC International Standard for 6" disk.

V-Brake fit: fixed type.

Max wheel size: 2.2" x 26".

BAM® : Bomber Aerospace Material: special alloy coming from the aerospace industry.

Warnings: Instructions for use

MARZOCCHI forks are based on an advanced technology coming from the company's years long experience in the professional mountain bike industry.

For the best results, we recommend inspecting and cleaning the area below the dust seal and the stanchion tube after every use and lubricating the parts with some silicone oil.

MARZOCCHI forks usually offer the best performances since the very first rides. Notwithstanding this, a short running-in period may be necessary (5-10 hours) to adjust the internal couplings. This precaution will lengthen your fork's life and guarantee its best performances.

We recommend changing the oil at least every 100 hours.

The forks with a polished finish must be treated periodically with polishing paste to keep the exterior shining like new.

Warnings: General safety rules

After disassembling the forks, always use new, original Marzocchi seals when reassembling.

To tighten two bolts or nuts that are near each other, always follow the sequence 1-2-1, and tighten to the required tightening torque.

Before reassembly, wash all new and old components and dry them with some compressed air, making sure there are neither breaks nor burrs.

Never use flammable or corrosive solvents when cleaning the forks, as these could damage the fork's seals. If you must use a solvent, use biodegradable detergents that are not corrosive, non-flammable, or have a high flash point.

Before reassembling, always lubricate those components that are in contact with the fork's oil.

If you are planning not to use your forks for a long period of time, always lubricate those components that are in contact with the fork's oil.

Always collect and keep any lubricants, solvents, or detergents, which are not completely biodegradable in the environment. These materials should be kept in appropriate containers, and disposed of according to local laws.

Always grease the seal lips before reassembling.

All of the components of Marzocchi forks require the use of metric tools. Use only metric tools. Imperial (US) tools may have similar sizes, but can damage the bolts, making them impossible to loosen or tighten.

When using a screwdriver to assemble or disassemble metal stop rings, O-rings, sliding bushings, or seal segments, avoid scratching or cutting the components with the screwdriver tip.

Do not carry out any maintenance and / or adjustment operations that are not explained in this manual.

Only use original Marzocchi spare parts.

Before servicing the fork, we recommend washing the fork thoroughly.

Work in a clean, organized, and well-lit place. If possible, avoid servicing your forks outdoors.

Carefully check to see that your work area is free of dust and metal shavings from any component of the forks.

Never modify your fork in any way.

Warnings: Fitting the fork onto the frame

The fork is supplied with "A-Head Set" steer tube to be cut to size according to frame being used.

Fitting the fork onto the bike frame is a very delicate operation that must be carried out at one of our service centres only.

The assembling on the frame and the adjustment of the steer tube must be carried out following the instructions of the steering set manufacturer.

A wrong installation can be dangerous for the rider.

Marzocchi does not guarantee the assembly and accepts no liability for damage and/or accidents arising from a wrong installation.

The steer tube must be pressed into the crown; its replacement must be carried out by one of our service centres using the adequate tools.

A wrong installation of the steer tube into the crown may cause the rider to lose the control of the bike and lead to serious personal injury.

Warnings: Installing the disk brake

Installing the brake system is a delicate and critical operation that must be carried out by an authorized Marzocchi Service Center.

Marzocchi is not responsible for the installation and accepts no liability for damage and/or accidents arising from this operation.

Improper installation of a disk brake system can overstress the caliper mountings, which may cause the caliper mountings to break, resulting in loss of control of the bicycle, an accident, personal injury, or death. Be sure that the brake system installation is also performed in strict compliance with the instructions provided by the brake system manufacturer.

Improper installation can result in an accident, personal injury, or death.

Use only brake systems that comply with the forks specifications.

The brake cable must never touch the crown and stanchions.

Warnings: Installing the V-brake

Installing the brake system is a very delicate operation that must be carried out at our specialised service centres only.

Marzocchi does not guarantee the installation and accepts no liability for damage and/or accidents arising from a wrong installation.

Improper installation of the disk brake system can overstress the caliper mountings, which may break. The installation of the brake system must be carried out following the instructions of the brake system manufacturer. Improper installation can be dangerous for the rider.

Use only brake systems in accordance with the fork specifications.

Warnings: Assembling the wheel

Install the wheel following the instructions of the manufacturer.

For a correct operation of the fork, install the wheel and proceed with the following checks:

Check the correct fork-wheel alignment by fully compressing the fork a few times. The wheel should not come into contact with any parts of the fork.

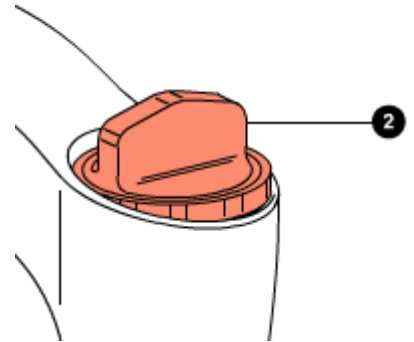
Lift the front wheel above the ground; turn the wheel a few times to verify the correct alignment and the distance from the disk brake or the V-brake pads. Read the instructions of the brake system manufacturer for the correct specifications.

Dismantling: Removing the top caps

Put the fork in the vice in vertical position, fixing it by the dropouts.

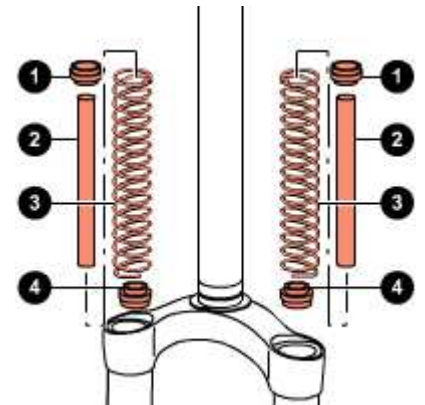
Fully unscrew lock cap (2) with the special spanner.

Remove lock cap (2).



Dismantling: Dismantling spring and elastomer

Remove the top spring cup (1), elastomer (2), spring (3) and the bottom spring cup (4) from both legs.

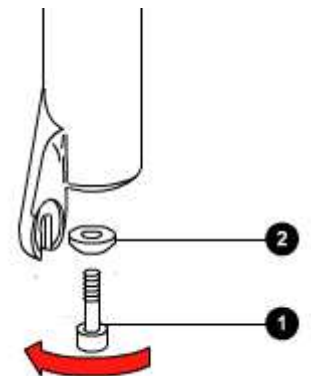


Dismantling: Breaking down the steering crown unit / arch-slider assembly

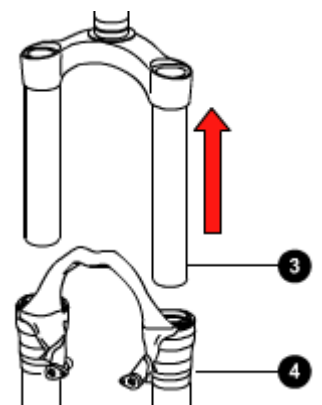
Turn the arch-slider assembly upside down.

With the 5mm Allen wrench, loosen the two bottom screws (1).

Pull out the bottom screws (1) and washer (2).

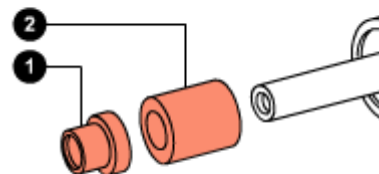


Pull the crown-stanchion unit (3) off the arch-slider assembly (4).

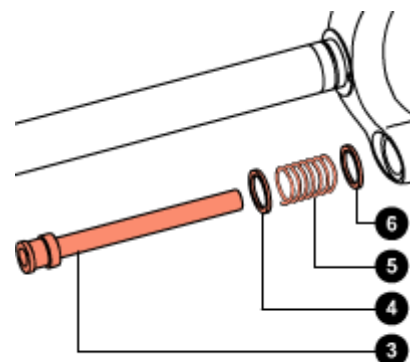


Dismantling: Breaking down the pumping element

Remove the bottom pads (1, 2) from the pumping element rod.



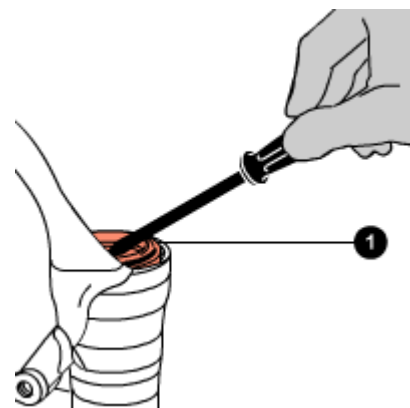
Pull the pumping element (3) complete with top washer (4), rebound spring (5) and bottom washer (6) off the top of the fork.



Dismantling: Removing the seals

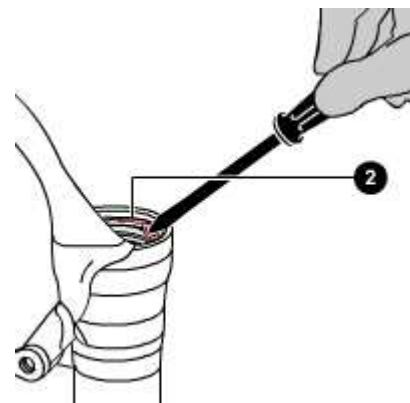
Prize the dust seal (1) off its seat with a small flat-tip screwdriver.

Take great care not to damage the internal surfaces of the one-piece assembly while removing the dust seal.



With the same screwdriver, prize off the metal stop ring (2).

Take great care not to damage the internal surfaces of the one-piece assembly while removing the stop ring.



Protect the upper part of the slider with the special tool (A).

With a screwdriver, prize off the sealing ring (3).

Remove the sealing ring (3).

Take great care not to damage the internal surfaces of the one-piece assembly while

removing the sealing ring.



The old sealing rings and dust seals must not be used again.

Dismantling: Removing the guide bushes

Use the special extractor to remove the guide bushes. Do not use other tools.

Fit the aluminium bush (A) to the extractor keeping the side with smaller diameter towards the edge opposite to striker (D).

Fit the extraction washer (B) with a white finish to the extractor.

During use, remove the non-used washer from the extractor.

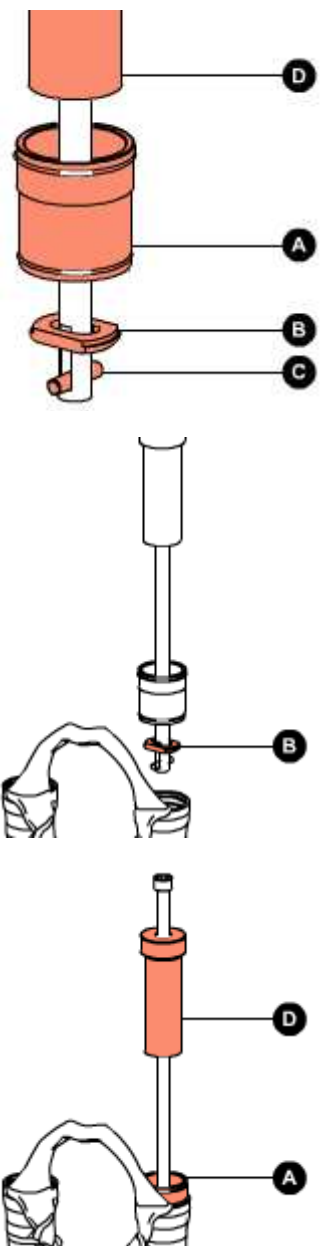
Remove first the top bushes, then the bottom bushes.

Fit the extraction washer keeping the blunt side towards the threaded grub screw (C) fixed crosswise on to the main rod as shown.

The slot in the rod lets the extraction washer swing inside the rod itself.

Insert the extractor in the arch-slider assembly from the side of washer (B) as shown.

The slot in the extractor rod will let the washer pass underneath the bush to be extracted.



Pull the extractor rod so that the upper face of the washer stops against the lower face of the guide bush.

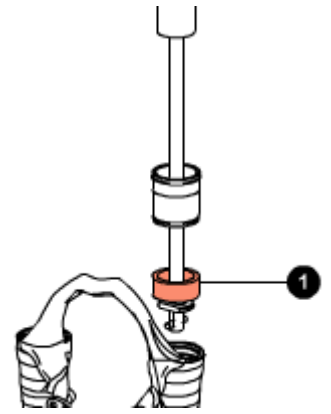
Insert the aluminium bush (A) in the seat of the sealing ring.

While holding the main rod in position, the aluminium bush will drive the guide bushes during extraction.

Using striker (D) knock out and extract the guide bush (1).

Remove the guide bush (1) from the extractor.

Repeat the steps above to remove the bottom guide bush.

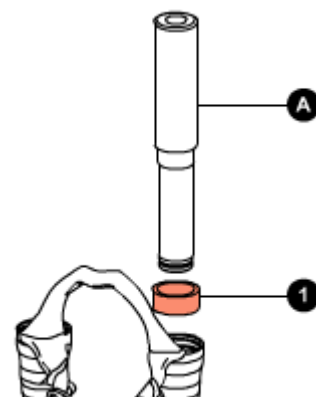


Assembling: Assembling the guide bushes

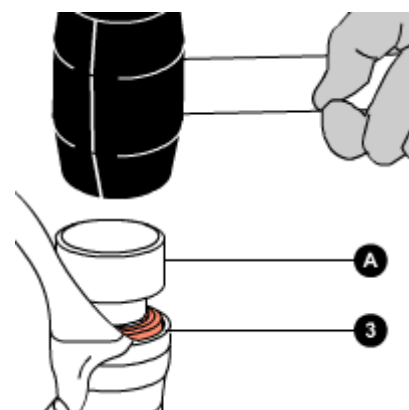
Insert the guide bushes using the special introducers (short type for the top bush and long type for the bottom bush, both with a black finish). Do not use other tools.

Fit first the bottom bushes, then the top bushes.

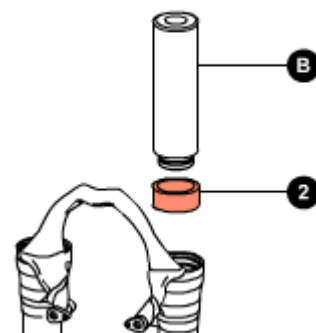
Using the long introducer (A) fit the bottom bush (1).



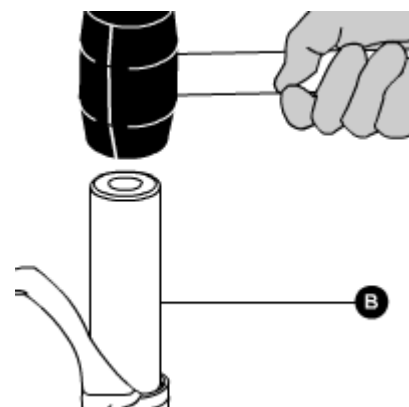
Using a hammer knock the introducer (A) into the arch-slider assembly.



Using the short introducer (B) fit the top bush (2).



Using a hammer knock the introducer (B) into the arch-slider assembly.

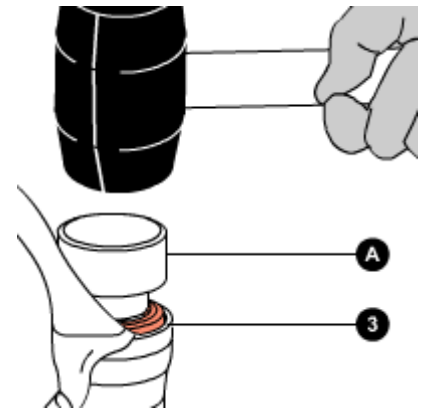


Smear the guide bushes with the recommended grease.

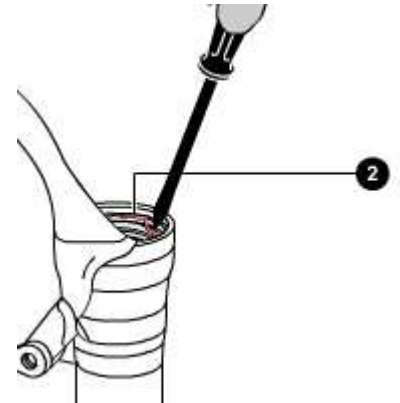
Assembling: Assembling the seals

Smear both sealing rings with the recommended grease.

Smear the dust seal and the sealing ring with some grease.
Insert the sealing ring (3) in its seat with the special introducer (A).
Using a hammer, knock in introducer (A) and drive the sealing ring home into the arch-slider assembly.



Using a small flat-tip screwdriver, fit the stop ring (2) and check that it fits perfectly into its groove.
Take great care not to damage the internal surfaces of the one-piece assembly when fitting the stop ring.
The dust seals shall be refitted when reassembling the crown-stanchion unit / arch-slider assembly.

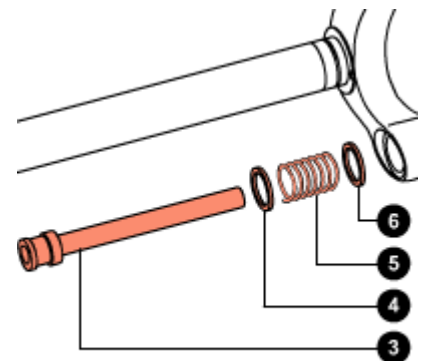


Assembling:

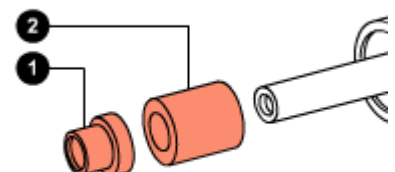
During the assembly of the pumping unit, strictly obey the instructions below.
Do not, at any times, reverse the position of the pumping elements in the fork legs (if you are unsure about anything, please refer to the relevant exploded view).

Assembling: Assembling the pumping element

Insert the top washer (4), the rebound spring (5) and the bottom washer (6) in the piston rod (3).
Insert the pumping element into the stanchion.



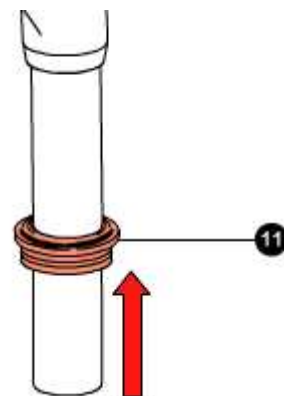
Fit bottom pads (1, 2) to the pumping element rod.



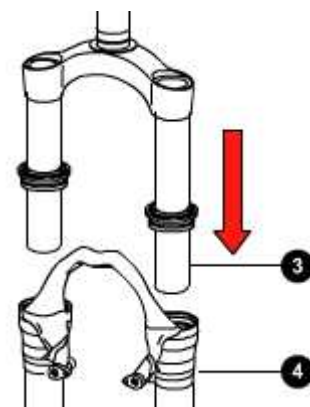
Assembling: Reassembling the steering crown unit / arch-slider assembly

A special spanner shall be used to assemble the bottom nuts. Do not, at any times, use other tools.

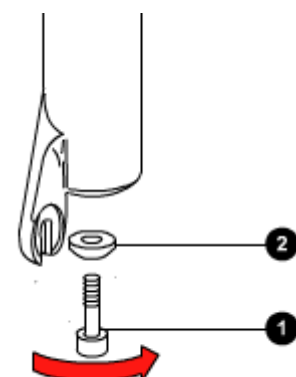
Fit both dust seals (11) to the stanchions.



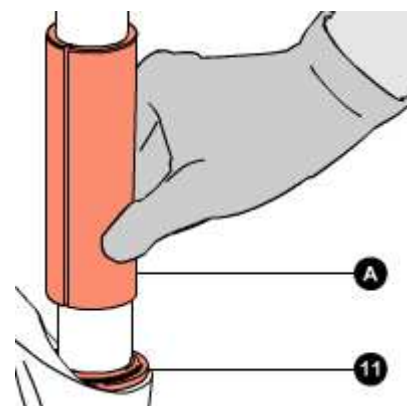
Insert the crown-stanchion unit (3) in the arch-slider assembly (4).



Using the 5mm Allen wrench, tighten the bottom screw (1) complete with washer (2) to the recommended tightening torque ($10 \text{ Nm} \pm 1$).



Using introducer (A) insert the dust seals (11) in their seats.



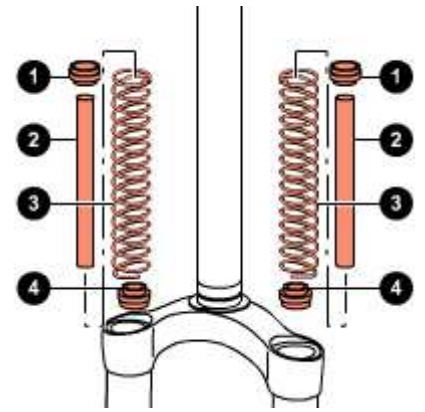
Assembling: Assembling spring and elastomer

Block the fork in the vice, in perfectly vertical position.

Smear both springs with the recommended grease.

Lift the crown-stanchion unit on the arch-slider assembly.

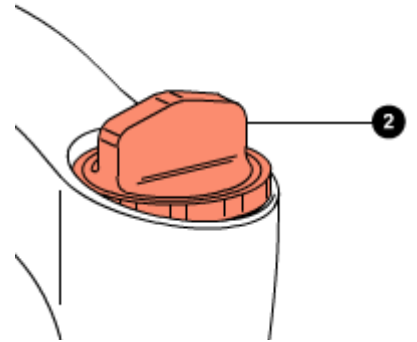
Insert the bottom spring cup (4), spring (3), elastomer (2) and the top spring cup (1) in both legs.



Assembling: Mounting the top caps

Put the fork in the vice in vertical position, fixing it by the dropouts.

Using the special spanner, tighten the lock cap (2) to the recommended tightening torque (**10 Nm ± 1**).
Restore the correct preload value, if necessary (see settings).



Setting: General rules for calibration

By carefully calibrating the damping system you can get the maximum performance out of the same.

This paragraph indicates the sequence of operations to perform to set up the Marzocchi forks correctly.

In order to find the best settings for you, you will need to try several times to understand where and how to make adjustments. When doing so, please ride in an open area, free from traffic, obstacles and other hazards.

The optimal setting is influenced by the geometry of the frame of the mountain bike, the weight of the cyclist, the type of terrain the bike will be used on and the type of obstacles you have to deal with, but also by subjective factors associated with your riding style; therefore it is impossible to provide objective data on the desired settings.

Nevertheless by carefully following the instructions below you will soon be able to find the optimal setting for you.

The shock absorber must be calibrated simply by using one adjuster at a time, following the order explained, noting the operations and any result step-by-step.

During setting don't force the adjusters beyond their limit of travel and don't exceed the max recommended air pressure.

To keep the pressure inside the fork's legs, only use the special MARZOCCHI pump with pressure gauge.

The use of any other pump can compromise the inflating operation and cause malfunction or damage to the fork, resulting in an accident, personal injury or death.

Once the correct setting has been found, we recommend noting the number of clicks or turns of the adjuster with respect to the "fully closed" position (adjuster fully clockwise) for a faster re-setting of your fork in case of need.

Setting: SAG

SAG means the fork bottoming under the biker's weight.

How to measure the SAG:

Follow these simple steps to measure the SAG.

On the leg portion of the fork, measure the distance between the lower crown and the dust seal (see Picture **A**). Note this value as "**H1**".

While sitting on the bike, repeat the measurement (see picture **B**). Note this value as "**H2**".

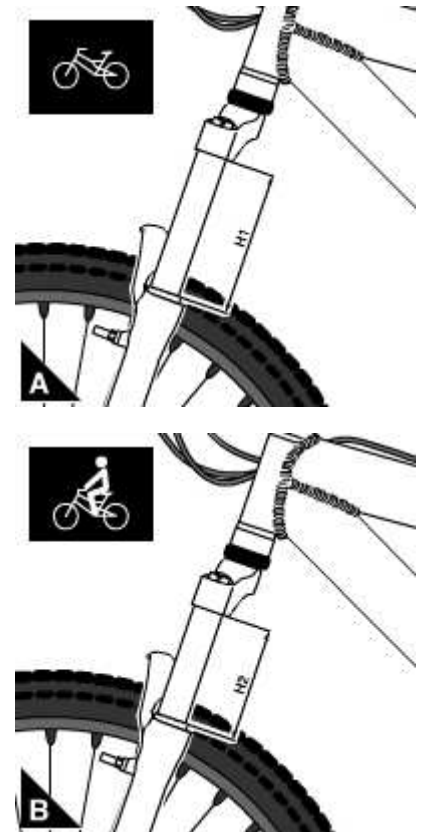
SAG = H1 - H2

How to find the best percent SAG:

The best percent SAG is 15-20% for Cross-country and All Mountain forks and 25-30% for Freeride and Downhill forks.

In order to calculate the best SAG for your own fork, you will need to make the following calculation:

SAG = T x S (**T** = total travel; **S** = suggested sinking percentage).



Setting: Spring preload

For both fork legs:

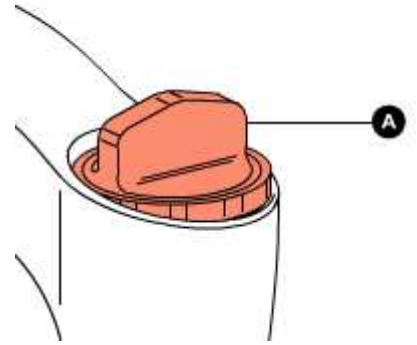
The optimal spring preloading is the one that lets you obtain the desired SAG under the biker's weight.

The forks are factory-set to the minimum preload, say with the adjuster fully turned counter-clockwise.

In this configuration, the spring is slightly preloaded to counteract static loads.

Turning adjuster (**A**) clockwise increases the spring preload.

Turning adjuster (**A**) counter-clockwise decreases the spring preload.



Do not force the adjuster beyond its limit of travel.

Tightening torques

Components	Tightening torque (Nm)
Fork leg top caps	10±1
Pumping element locking bottom nuts	10±1
V-brake locking pins	9±1

MZ Comp 80 - Oil levels

Position	Oil type	Quantity (cc)
Right fork leg	EXR 9170-001	7,5
Left fork leg	EXR 9170-001	7,5

MZ Comp 100 - Oil levels

Position	Oil type	Quantity (cc)
Right fork leg	EXR 9170-001	7,5
Left fork leg	EXR 9170-001	7,5

Diagnostics

Finding the problem	Finding the possible cause	Possible solutions proposed
Fork doesn't get full travel	Oil level too high	Check oil levels
Fork extends too quickly; harsh top-out after impacts	Rebound damping is not enough	Increase rebound damping
Fork extends too quickly; harsh top-out after impacts	Rebound damping is not enough	Replace the oil (SAE 7.5) with one of higher viscosity index
Fork has too much sag	Oil is too fluid	Check oil levels
Fork is "sticky"; fork does not perform as new	Dirty sealing rings; fork needs to be serviced	Renew all seals
Fork is too soft, but the sag is the one recommended	Compression damping is not enough	Increase compression damping by changing oil volumes
Fork is too soft, needs more than the maximum preload	Oil is too fluid	Check oil levels
Fork stays down or "packs up" during multiple impacts	Rebound damping is too high	Decrease rebound damping with the relevant register
Front wheel tends to tuck under while turning left or right	Rebound damping is too high	Decrease rebound damping with the relevant register
Heavy amount of oil on stanchions; oil dripping down legs	Sealing rings damaged	Renew all seals
Heavy amount of oil on stanchions; oil dripping down legs	The stanchion tubes could be damaged	Have the stanchions be checked
Knocking sound during rebound, but no harsh top-out	Rebound damping is too high	Decrease rebound damping with the relevant register
Loss of sensitivity	Old oil	Change the oil
Loss of sensitivity	Sliding bushes worn	Renew the sliding bushes
Oil leaking from the bottom of the fork leg	Bottom nut/screw loose	Tighten the nut or screw
Oil ring on stanchions	Sealing rings dirty	Renew all seals